



US00D364558S

United States Patent [19]

[11] Patent Number: **Des. 364,558**

Guegan et al.

[45] Date of Patent: ****Nov. 28, 1995**

[54] **CONTAINER FOR TOYS**

[75] Inventors: **Jacques Guegan**, L'Hay les Roses;
Francis Lecocq, Hames-Boucres;
Jean-Pierre Moussaud, Les Attaques;
Jean-Jacques Urvoy; **Valerie Gautier**,
both of Paris, all of France

[73] Assignee: **Meccano, S.A.**, Calais, France

[**] Term: **14 Years**

[21] Appl. No.: **23,896**

[22] Filed: **Jun. 2, 1994**

[30] **Foreign Application Priority Data**

Jan. 6, 1994 [WO] WIPO DM028335
Jan. 6, 1994 [WO] WIPO DM028336

[52] U.S. Cl. **D9/341**; D3/201

[58] **Field of Search** D9/341, 344, 346,
D9/347, 432, 424, 414; D3/201, 202, 254,
259, 272, 276, 282, 290, 291, 295, 299,
315, 905; 220/23.83, 256, 259; 312/902;
206/541, 315.1, 547, 549, 518, 508, 167,
162, 169, 203, 428; 229/117.23

[56] **References Cited**

U.S. PATENT DOCUMENTS

D. 326,815 6/1992 Meisner et al. D9/424
D. 330,513 10/1992 Gilchrist D9/341
D. 355,118 2/1995 Dickinson et al. D9/425
1,804,927 5/1931 Gilbert .
2,598,710 6/1952 Murphy 206/167

2,880,859 4/1959 Tupper D7/629 X
3,955,745 5/1976 Forrer 206/428 X
4,200,346 4/1980 Belokin, Jr. 206/518 X
4,485,924 12/1984 Ripoll et al. 206/508 X
4,832,200 5/1989 Deaton et al. 206/508
4,872,410 10/1989 Lilly .
5,007,636 4/1991 Pagani .
5,035,324 7/1991 Bertrand .
5,055,081 10/1991 Nayak .
5,172,806 12/1992 Mickelberg .
5,250,000 10/1993 Boutin et al. .

Primary Examiner—Prabhakar G. Deshmukh
Attorney, Agent, or Firm—Pennie & Edmonds

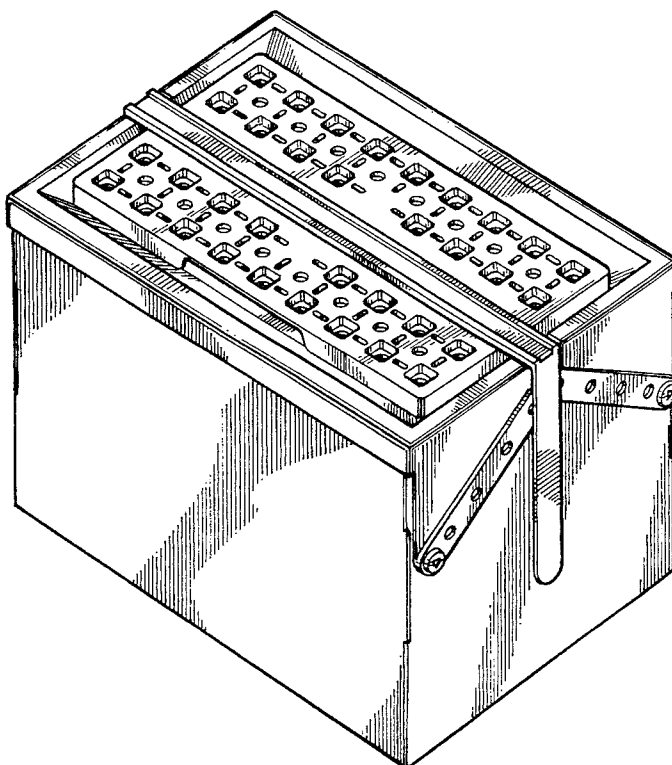
[57] **CLAIM**

The ornamental design for a container for toys, as shown and described.

DESCRIPTION

FIG. 1 is a perspective view of a container for toys shown in a closed position;
FIG. 2 is a top view thereof;
FIG. 3 is a front view thereof, which is also identical to a rear view thereof;
FIG. 4 is a side view thereof, which is also identical to the other side view thereof;
FIG. 5 is a perspective view of the container with its flaps partially open with their locking member removed therefrom.
FIG. 6 is a perspective view of the container without its locking member and its flaps in a closed position; and,
FIG. 7 is a top view thereof.

1 Claim, 6 Drawing Sheets



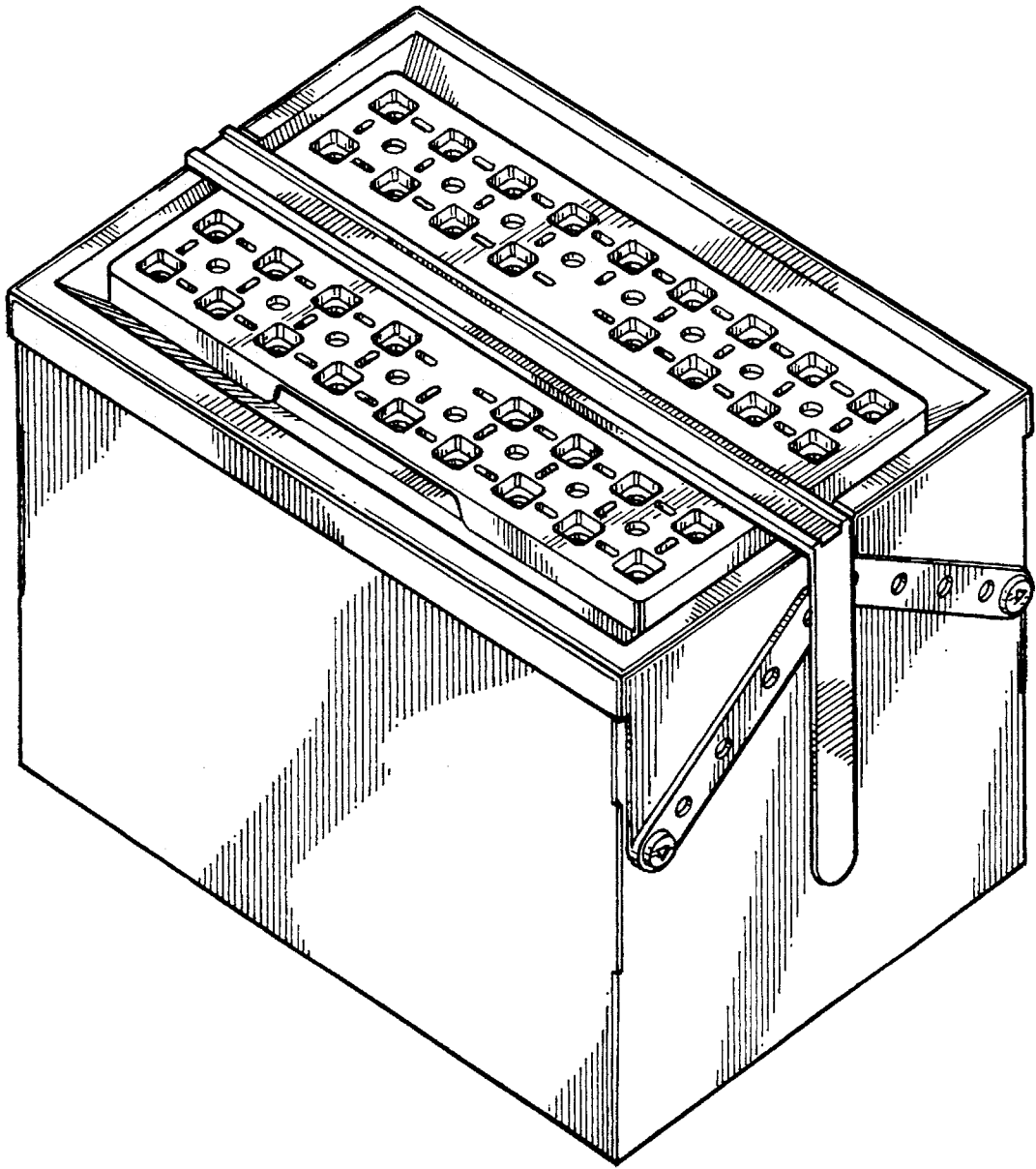


FIG. 1

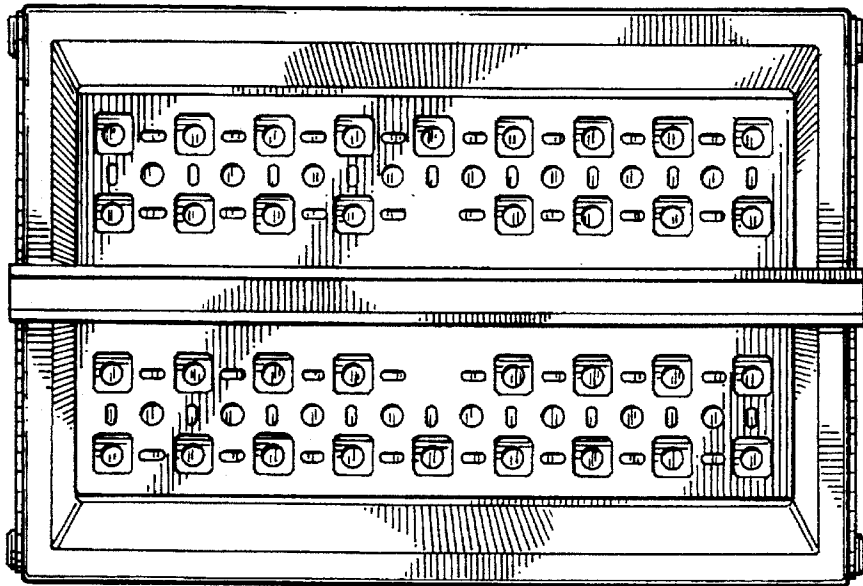


FIG. 2

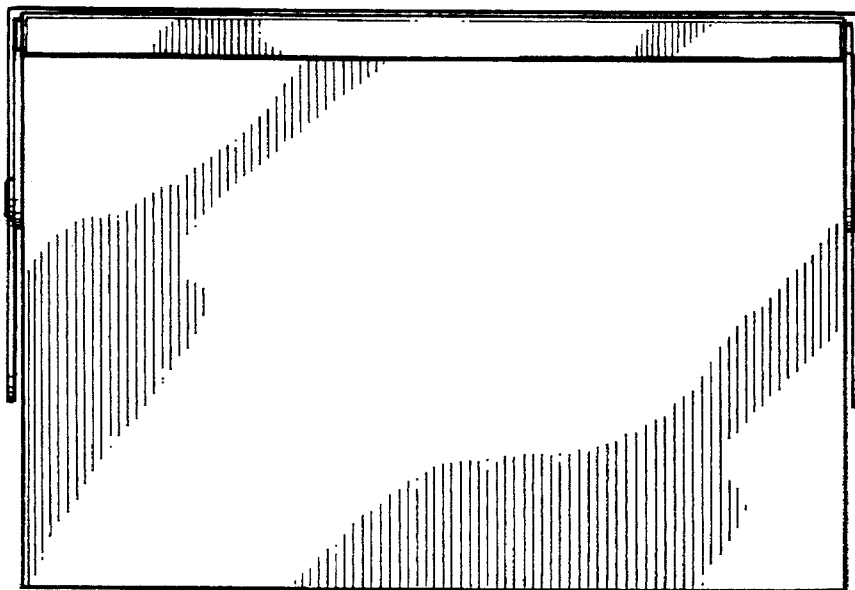


FIG. 3

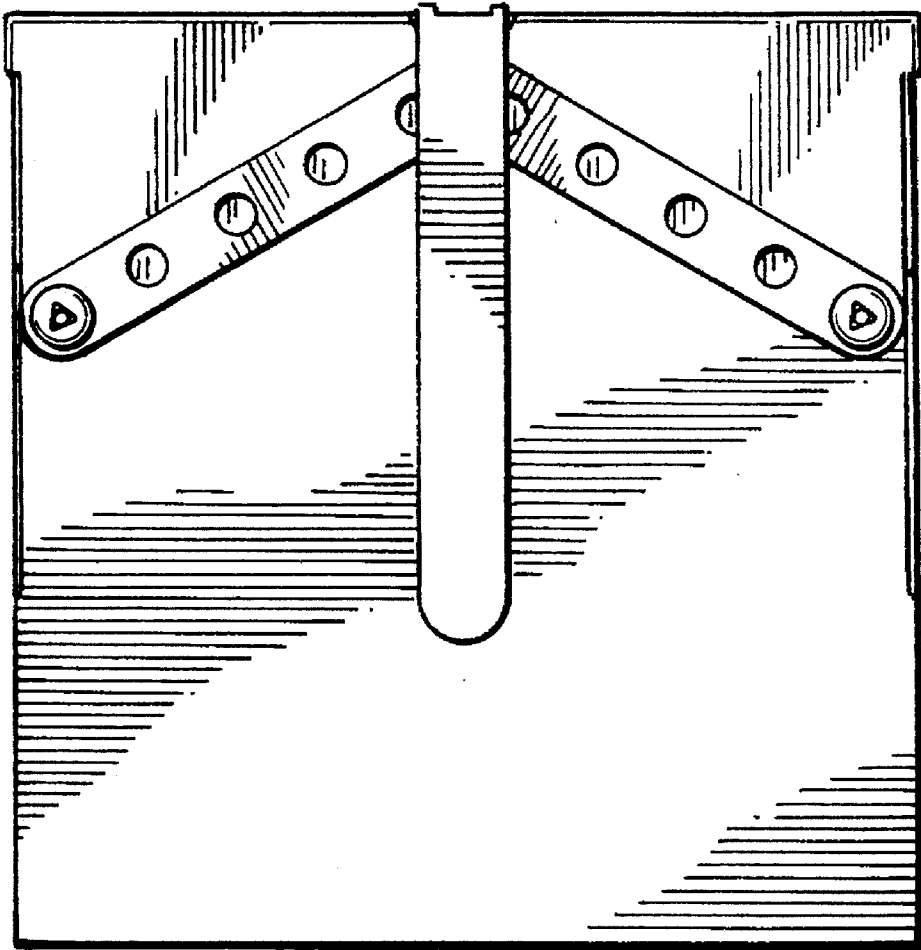


FIG. 4

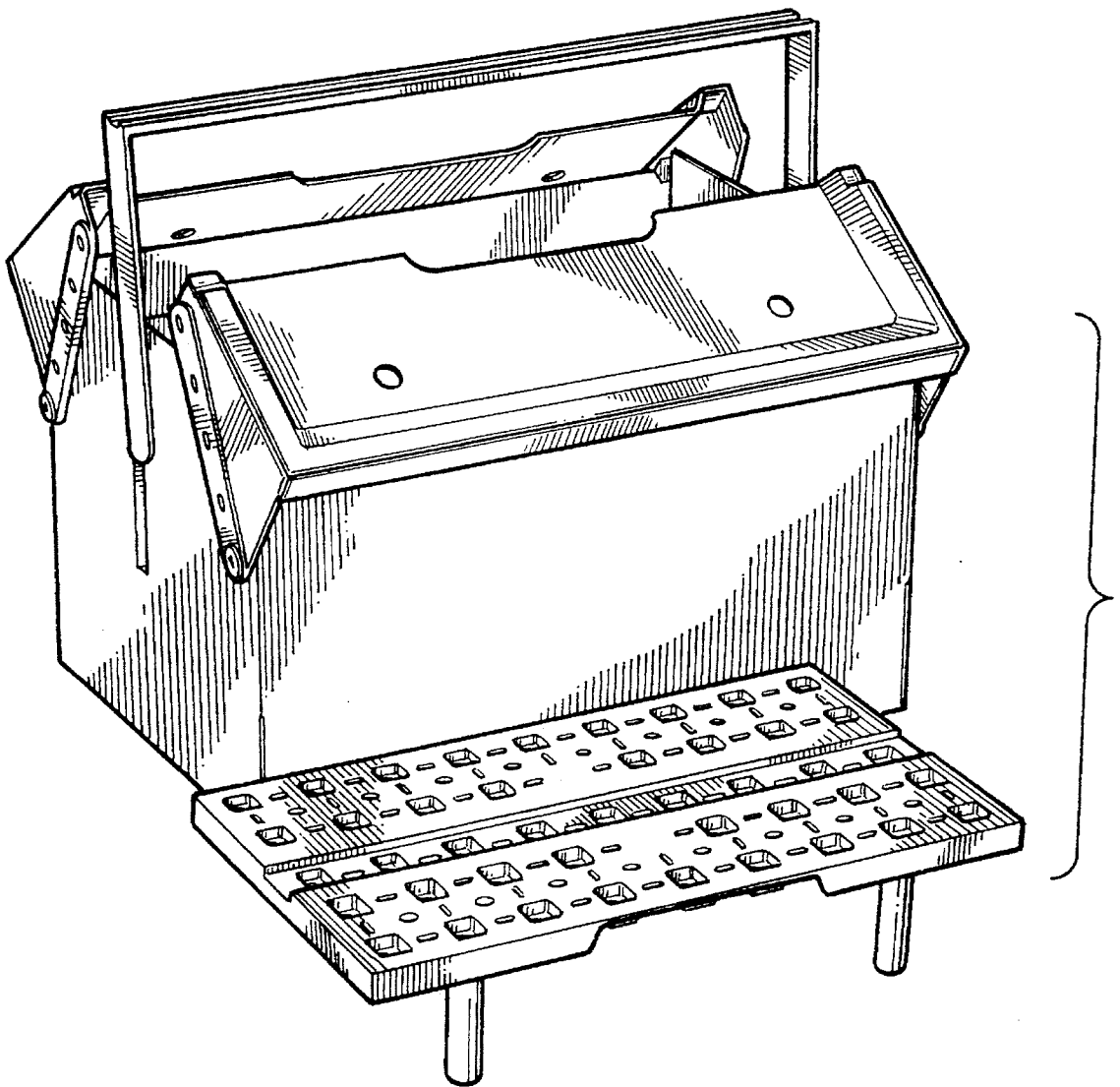


FIG. 5

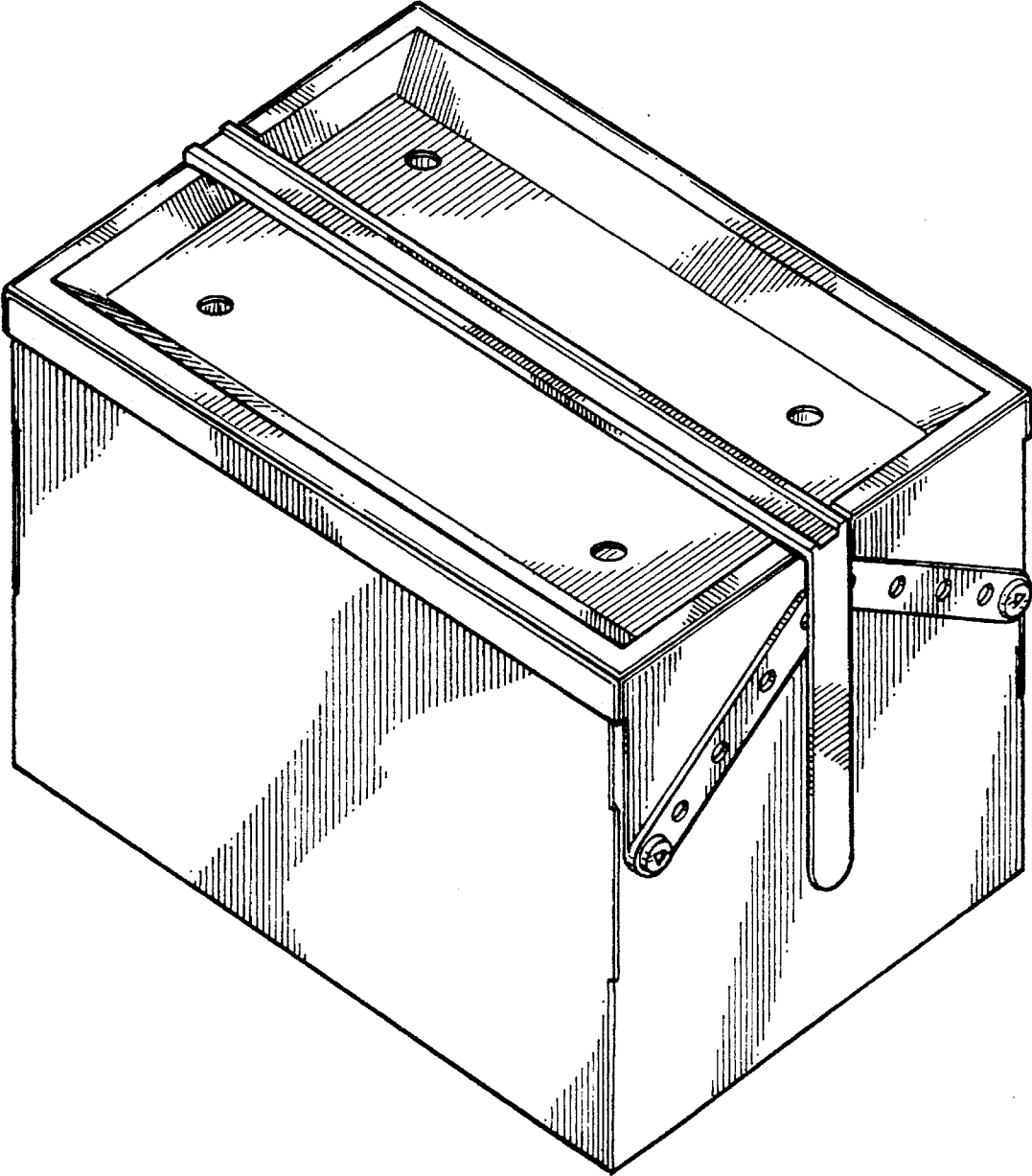


FIG. 6

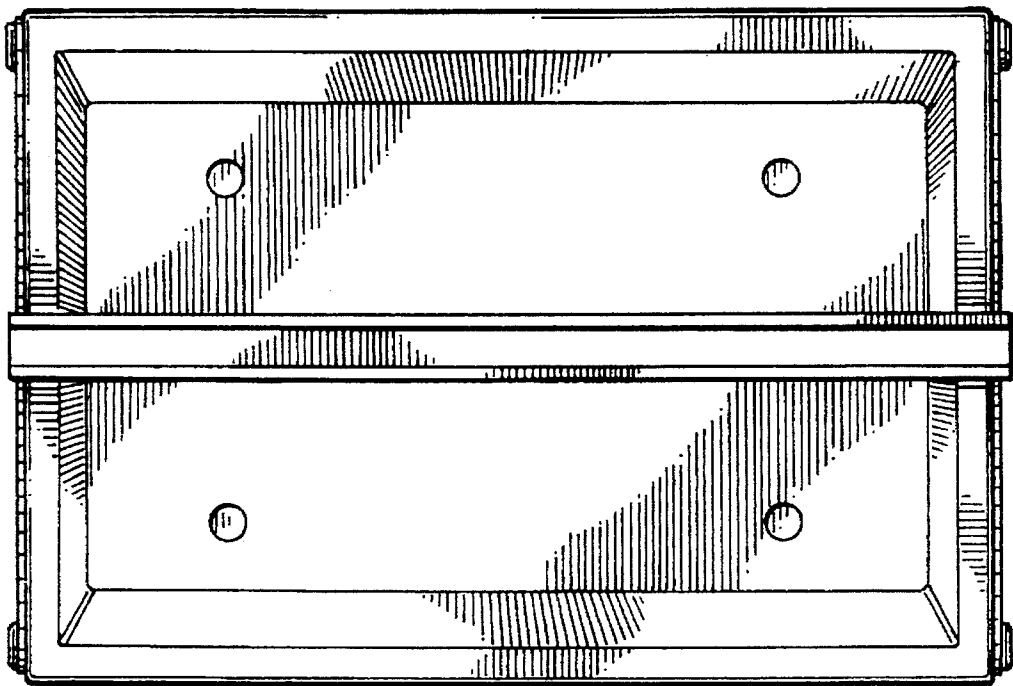


FIG. 7