



US00D374466S

**United States Patent** [19]  
**Guegan et al.**

[11] **Patent Number:** **Des. 374,466**  
[45] **Date of Patent:** **\*\*Oct. 8, 1996**

[54] **FIGURINE SHAPED SCREWDRIVER FOR TOYS**

3,173,462 3/1965 Koepfel .  
4,551,110 11/1985 Selvage et al. .  
5,108,336 4/1992 Rosher ..... 446/144

[75] Inventors: **Jacques Guegan**, L'Hay les Roses;  
**Francis Lecocq**, Hames-Boucres;  
**Jean-Pierre Moussaud**, Les Attaques;  
**Jean-Jacques Urvoy**, Paris; **Valerie Gautier**, Paris; **Francis Bance**, Paris,  
all of France

*Primary Examiner*—Raphael Barkai  
*Attorney, Agent, or Firm*—Pennie & Edmonds

[57] **CLAIM**

The ornamental design for a figurine shaped screwdriver for toys, as shown and described.

[73] Assignee: **Meccano S.A.**, France

**DESCRIPTION**

[\*\*] Term: **14 Years**

FIG. 1 is a perspective view of a figurine shaped screwdriver for toys showing our new design;  
FIG. 2 is a front view thereof;  
FIG. 3 is a rear view thereof;  
FIG. 4 is a right side view thereof, the left side view thereof being a mirror image thereof;  
FIG. 5 is a top view thereof;  
FIG. 6 is a bottom view thereof;  
FIG. 7 is a perspective view of the screwdriver of FIG. 1 with its cap removed;  
FIG. 8 is a front view thereof;  
FIG. 9 is a top view thereof;  
FIG. 10 is a right side view thereof;  
FIG. 11 is a rear view thereof;  
FIG. 12 is a bottom view thereof; and,  
FIG. 13 is a left side view thereof.

[21] Appl. No.: **23,897**

[22] Filed: **Jun. 2, 1994**

[52] **U.S. Cl.** ..... **D21/120; D21/166**

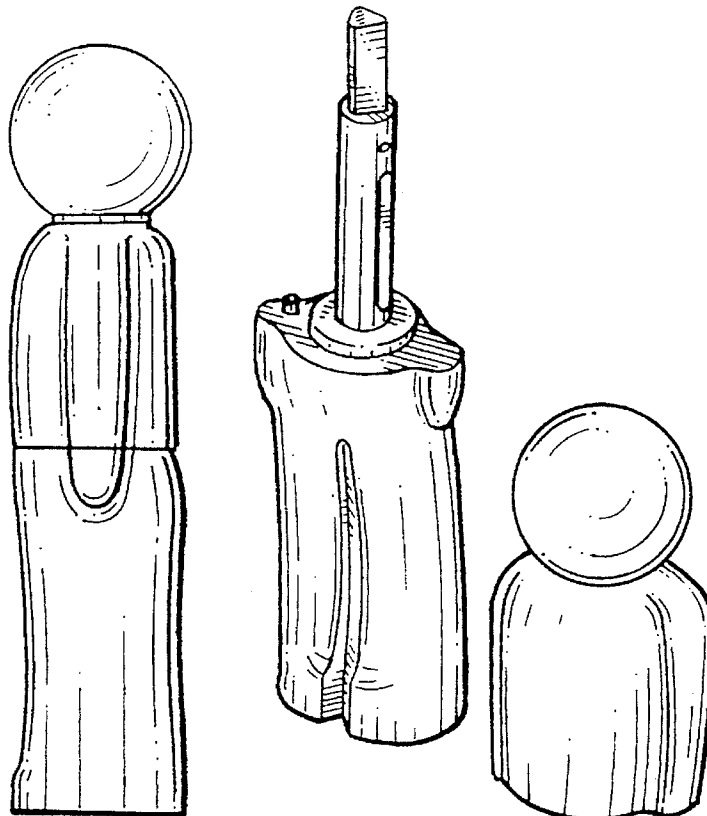
[58] **Field of Search** ..... **D21/120, 166; D8/82, 83, 107; 446/144, 86**

[56] **References Cited**

**U.S. PATENT DOCUMENTS**

D. 210,471	3/1968	Aoix .....	D21/166
D. 255,813	7/1980	Pape et al. ....	D21/166
D. 265,544	7/1982	Nelson .	
D. 277,119	1/1985	Paczko .....	D21/120
D. 303,920	10/1989	Kandel .	
D. 341,172	11/1993	Olsen .	
D. 352,078	11/1994	Bertrand .....	D21/166
2,672,707	3/1954	Greenhaus .....	446/144

**1 Claim, 4 Drawing Sheets**



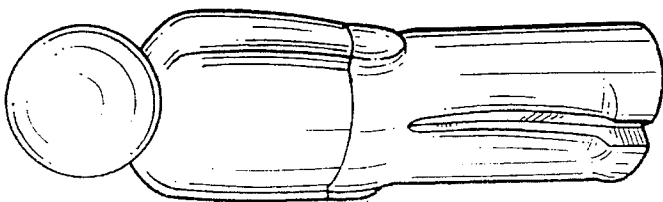


FIG. 1

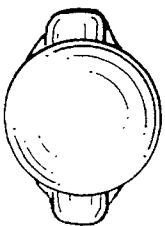


FIG. 5

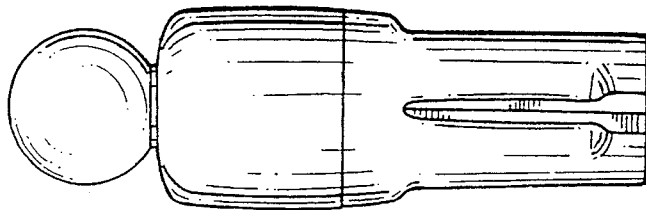


FIG. 2

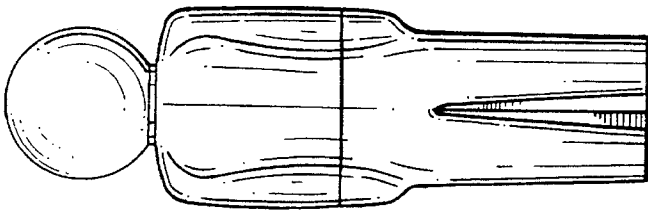


FIG. 3

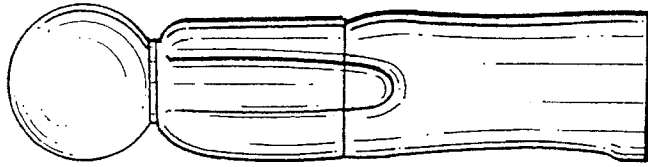


FIG. 4

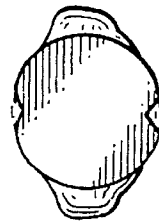


FIG. 6

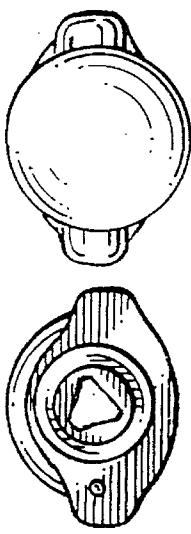


FIG. 9

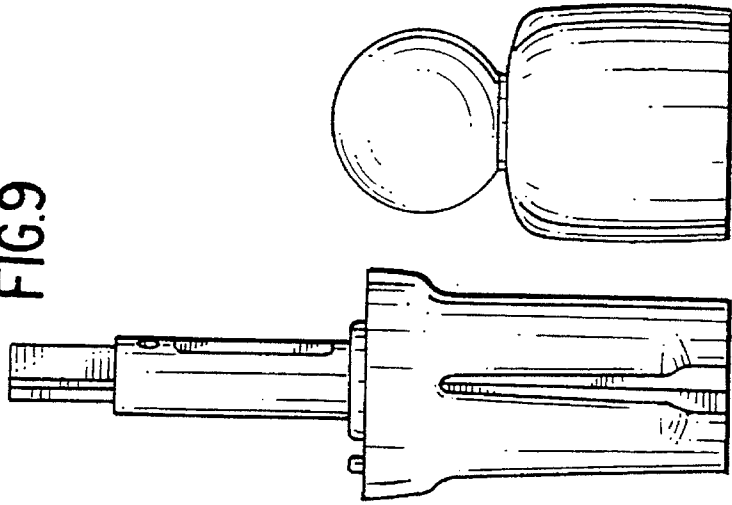


FIG. 8

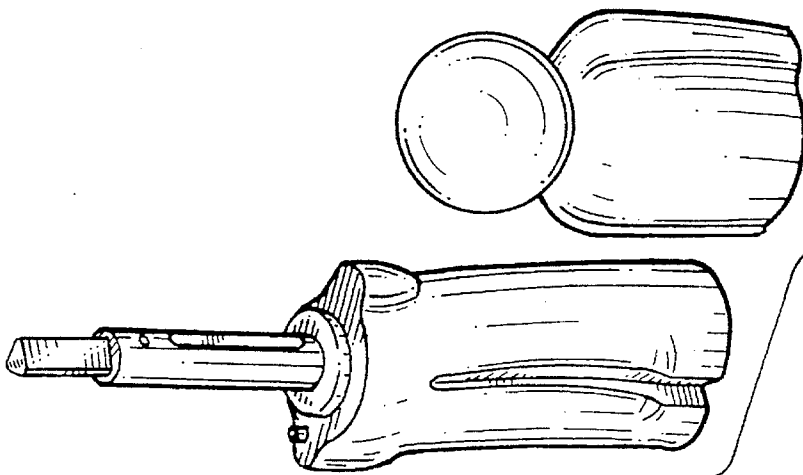


FIG. 7

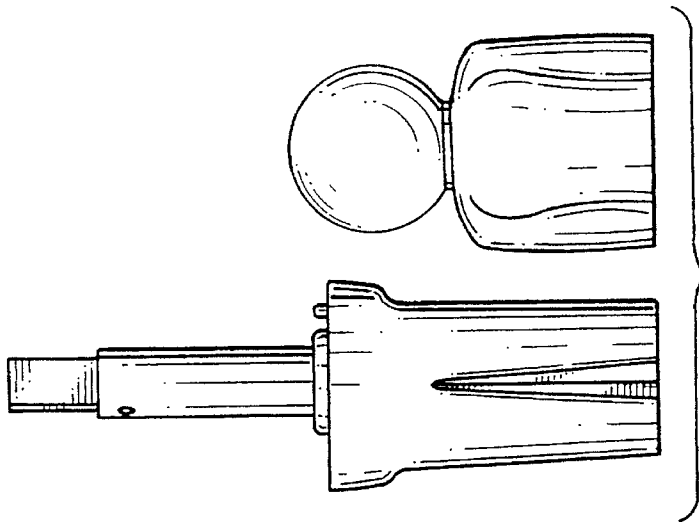


FIG.11

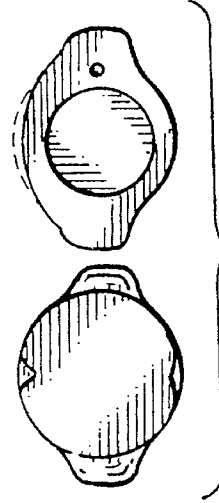


FIG.12

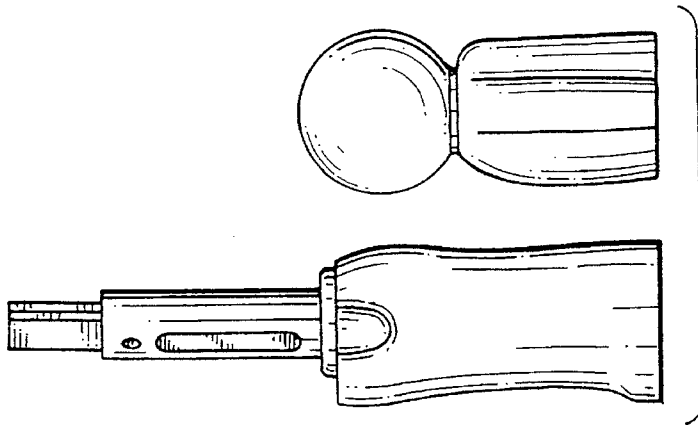


FIG.10

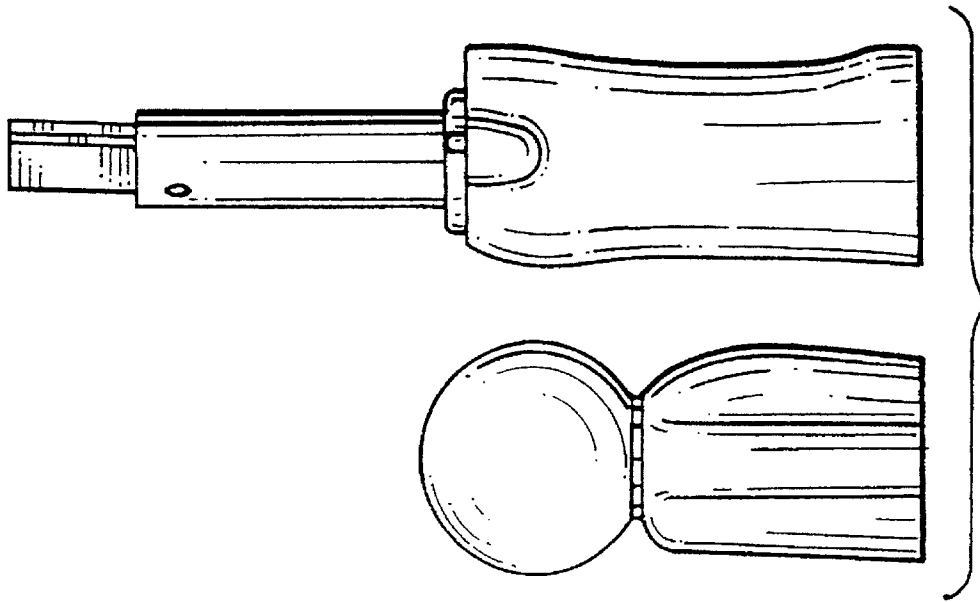


FIG.13