



US00D374771S

United States Patent [19] Guegan et al.

[11] **Patent Number:** Des. 374,771
[45] **Date of Patent:** **Oct. 22, 1996

[54] **BRIEFCASE CONTAINER FOR TOYS**

1,804,927 5/1931 Gilbert .
4,872,410 10/1989 Lilly 108/26
5,250,000 10/1993 Boutin et al. 446/75

[75] Inventors: **Jacques Guegan**, L'Hay les Roses;
Francis Lecocq, Hames-Boucres;
Jean-Pierre Moussaoud, Les Attaques,
all of France

OTHER PUBLICATIONS

REMCO SteelTec Work Center/Storage Case, Dec. 1993 (3 photographs).

[73] Assignee: **Meccano, S.A.**, Calais, France

Primary Examiner—Philip S. Hyder
Attorney, Agent, or Firm—Pennie & Edmonds

[**] Term: **14 Years**

[57] CLAIM

[21] Appl. No.: **25,819**

The ornamental design for a briefcase container for toys, as shown and described.

[22] Filed: **Jul. 6, 1994**

[30] Foreign Application Priority Data

DESCRIPTION

Apr. 28, 1994 [CA] Canada 1994.0861

[52] **U.S. Cl.** **D3/276**; D3/294; D3/905

[58] **Field of Search** D3/269, 270, 273,
D3/274, 276, 281, 282, 294; 206/1.7, 1.8,
3; 190/100, 115, 118, 900, 901

FIG. 1 is a perspective view of a first embodiment of a container for toys showing the top side thereof; FIG. 2 is a bottom perspective view of the container shown in FIG. 1;

FIG. 3 is a top view thereof;

FIG. 4 is a front view thereof;

FIG. 5 is a rear view thereof;

FIG. 6 is a left side view thereof;

FIG. 7 is a right side view thereof;

FIG. 8 is a bottom view thereof; and,

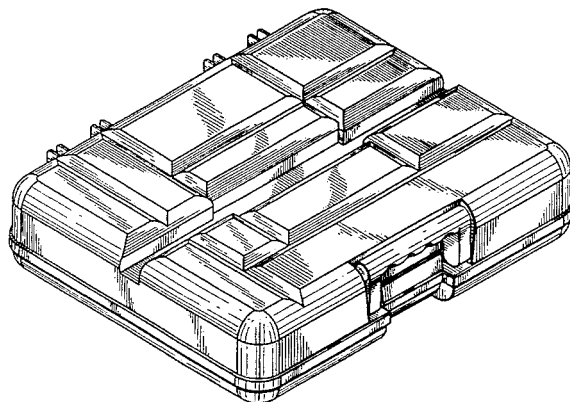
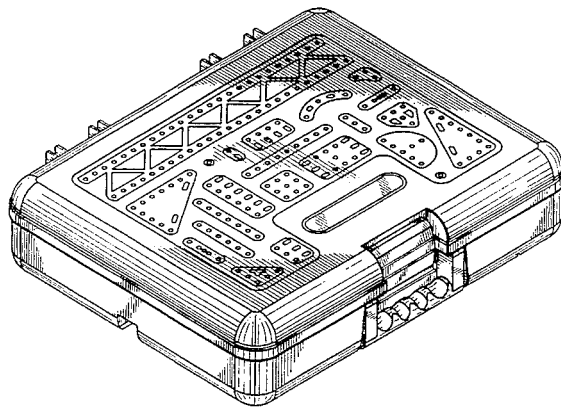
FIG. 9 is a perspective view of a second embodiment thereof, wherein the bottom, left side, right side, and front views being identical to the corresponding views of the first embodiment.

[56] References Cited

U.S. PATENT DOCUMENTS

D. 286,231	10/1986	Werk	D3/281
D. 316,332	4/1991	Bridges et al.	D3/281
D. 322,889	1/1992	Ward	D3/281
D. 336,366	6/1993	Slayton	D3/282
D. 351,504	10/1994	Tarozzi	D3/276
D. 353,048	12/1994	Van Skiver et al.	D3/276
D. 353,265	12/1994	Newby, Sr.	D3/276
D. 355,763	2/1995	Sun	D3/276
D. 356,890	4/1995	Ryaa	D3/276

1 Claim, 9 Drawing Sheets



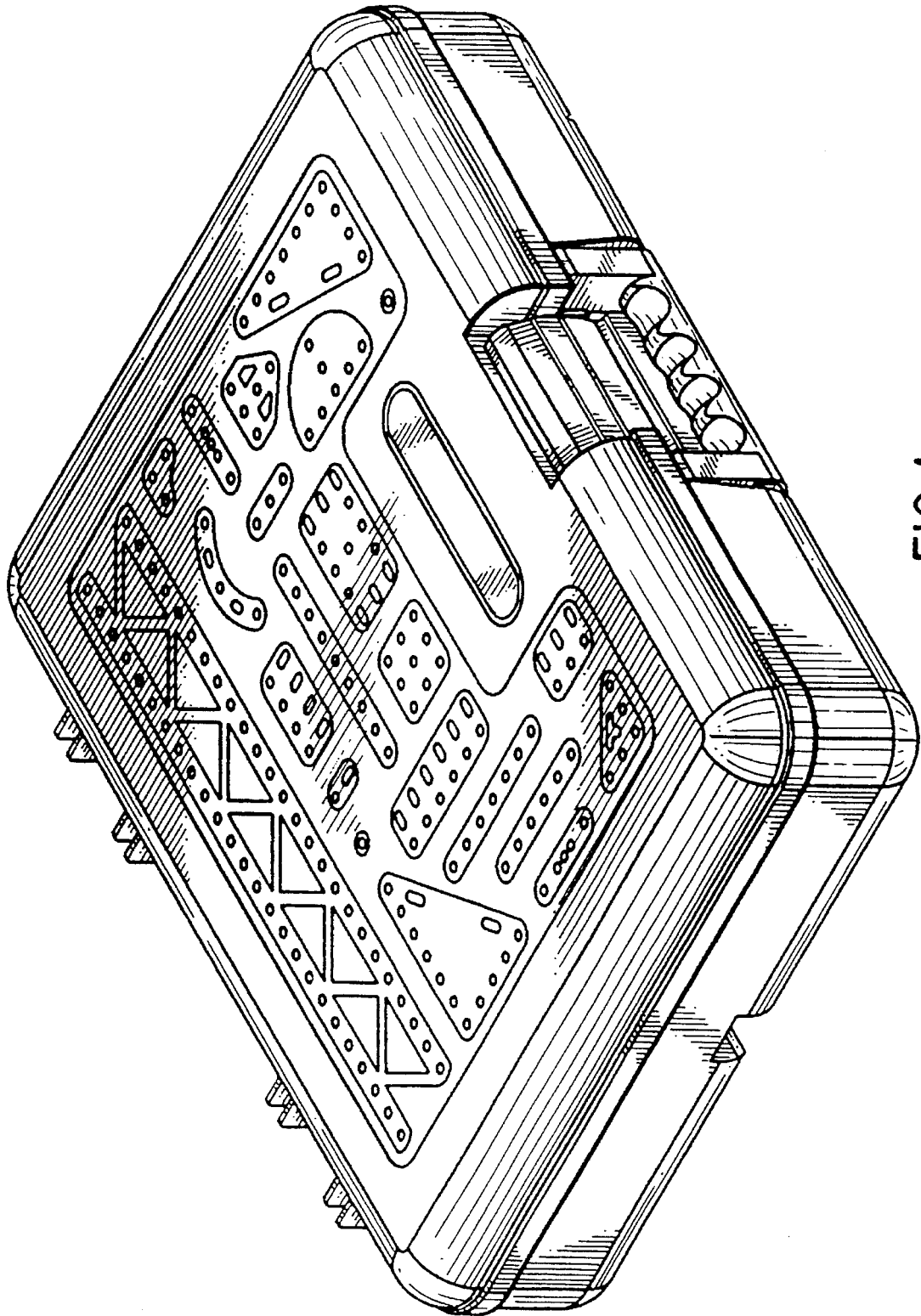


FIG. 1

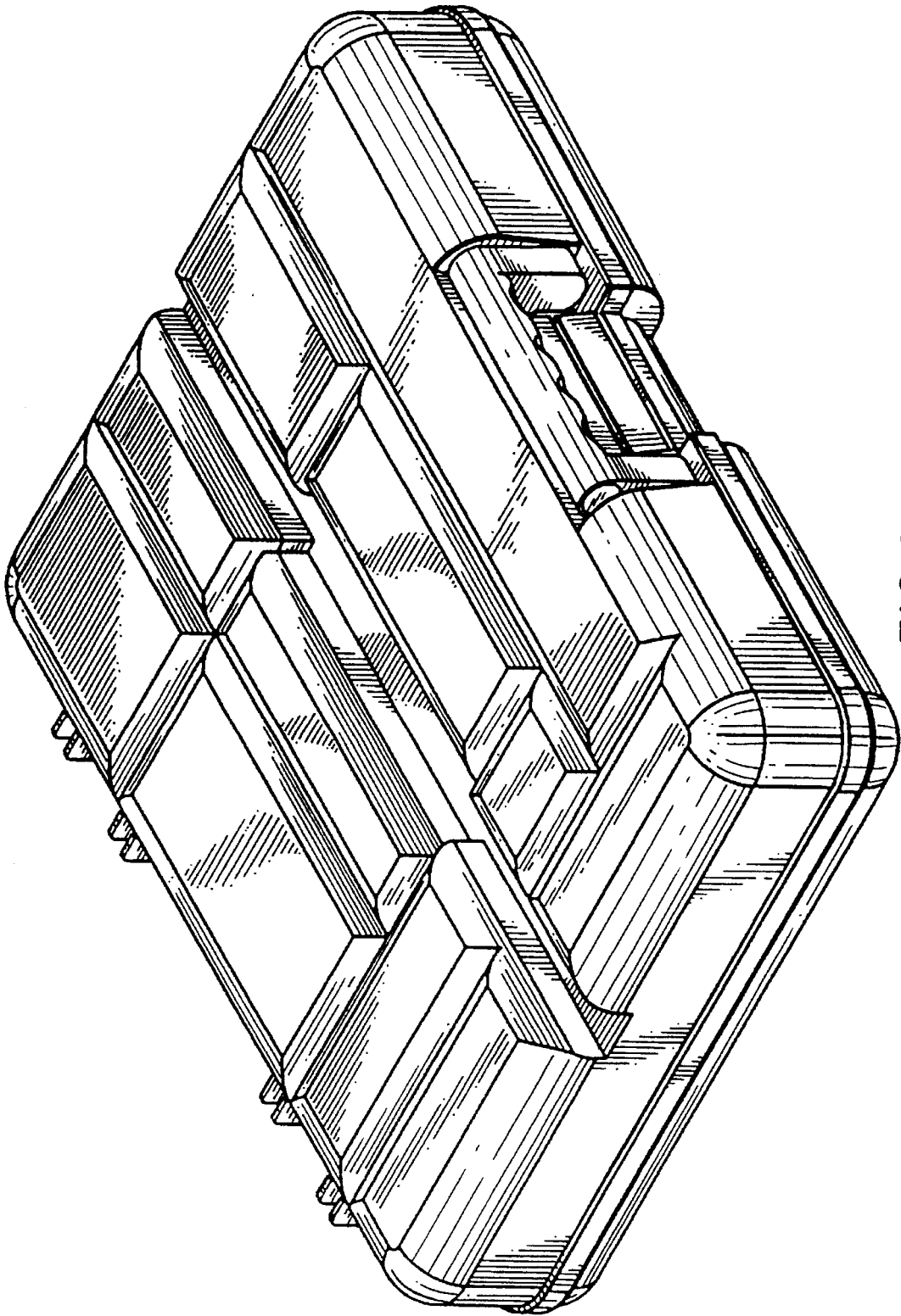


FIG. 2

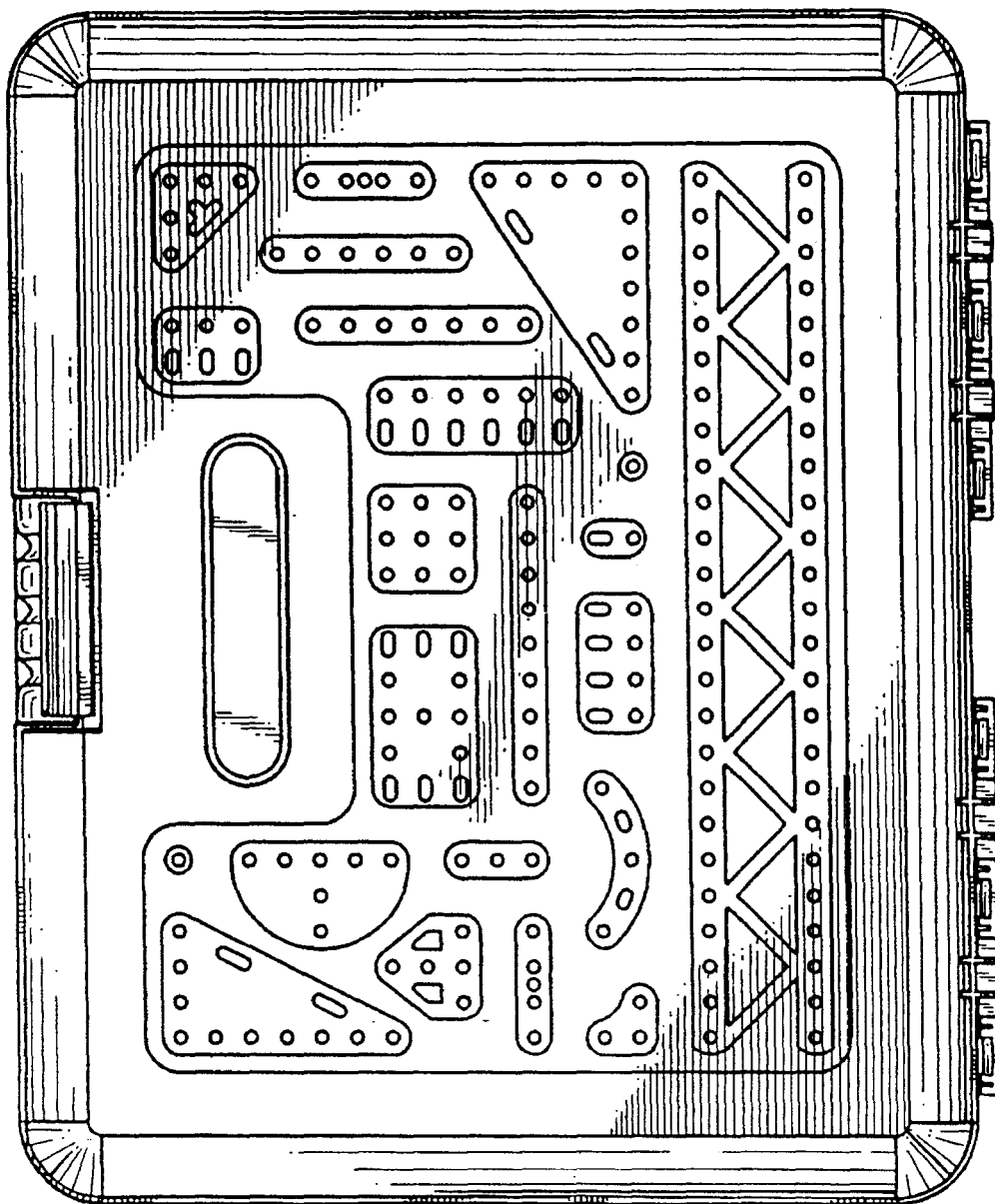


FIG. 3

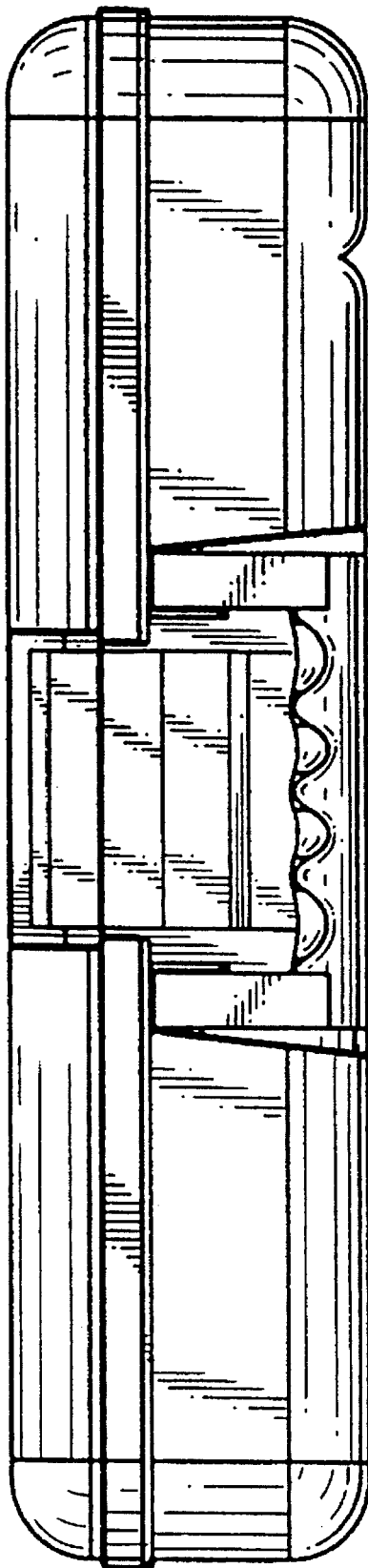


FIG. 4

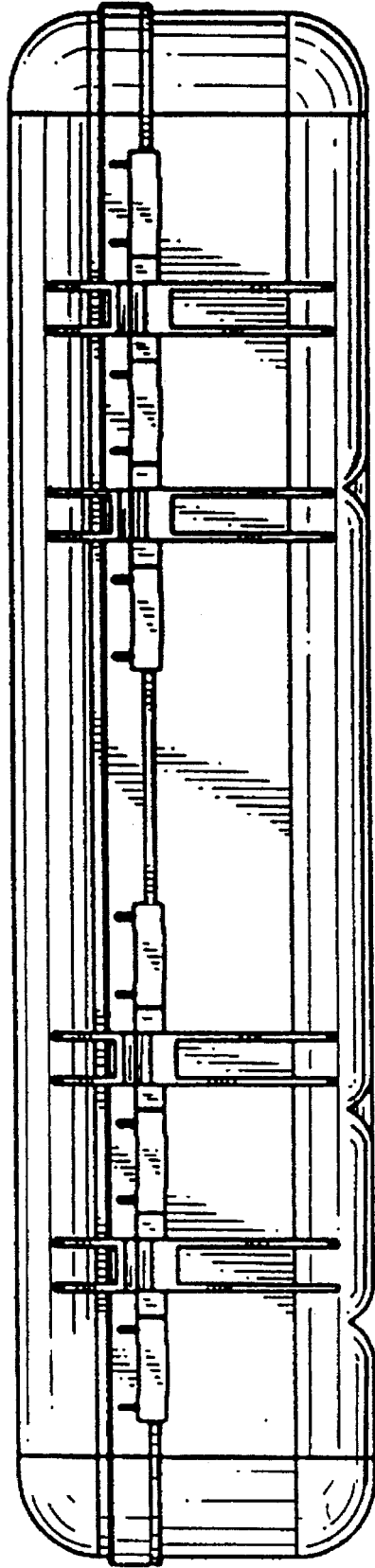


FIG. 5

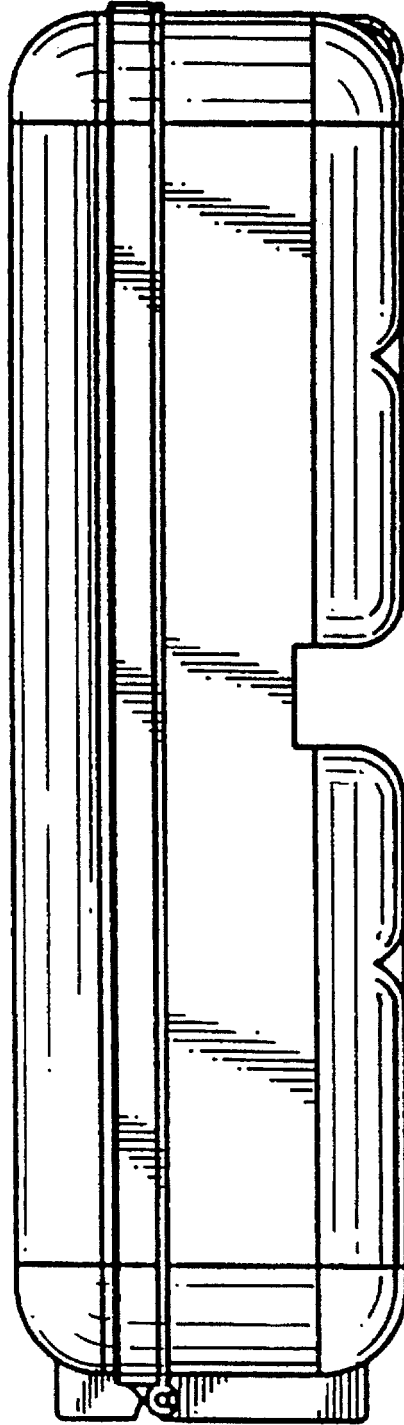


FIG. 6

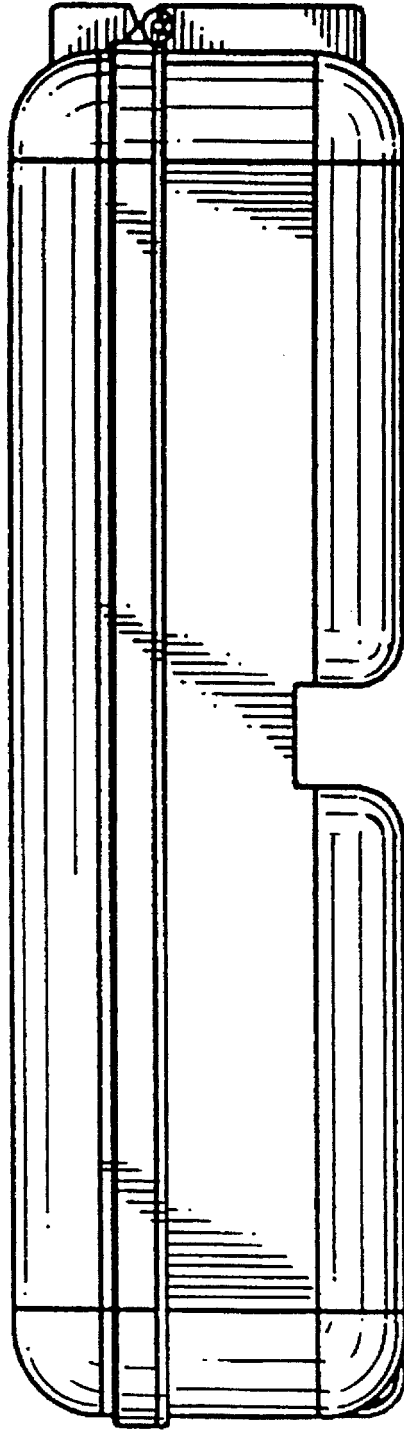


FIG. 7

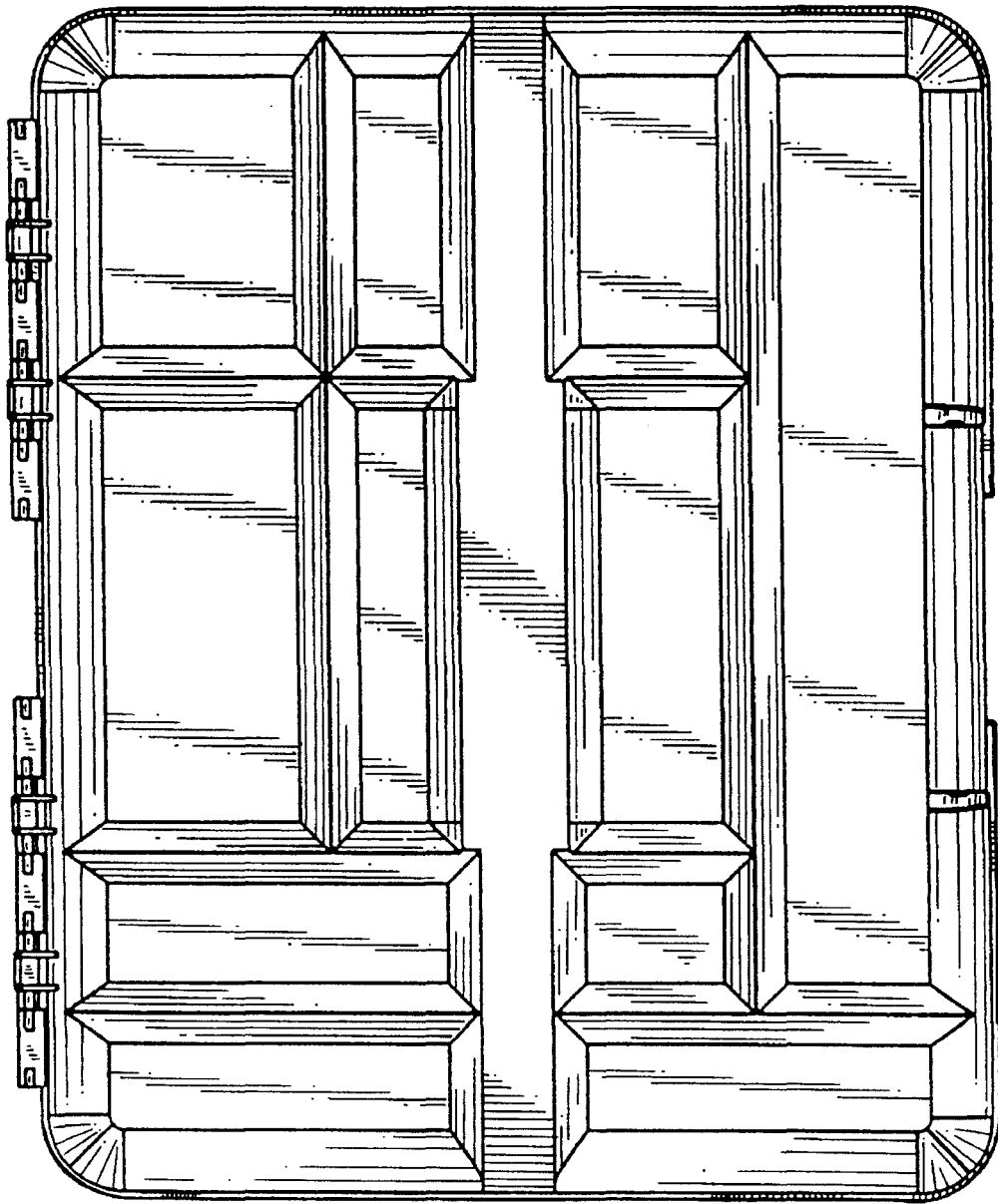


FIG. 8

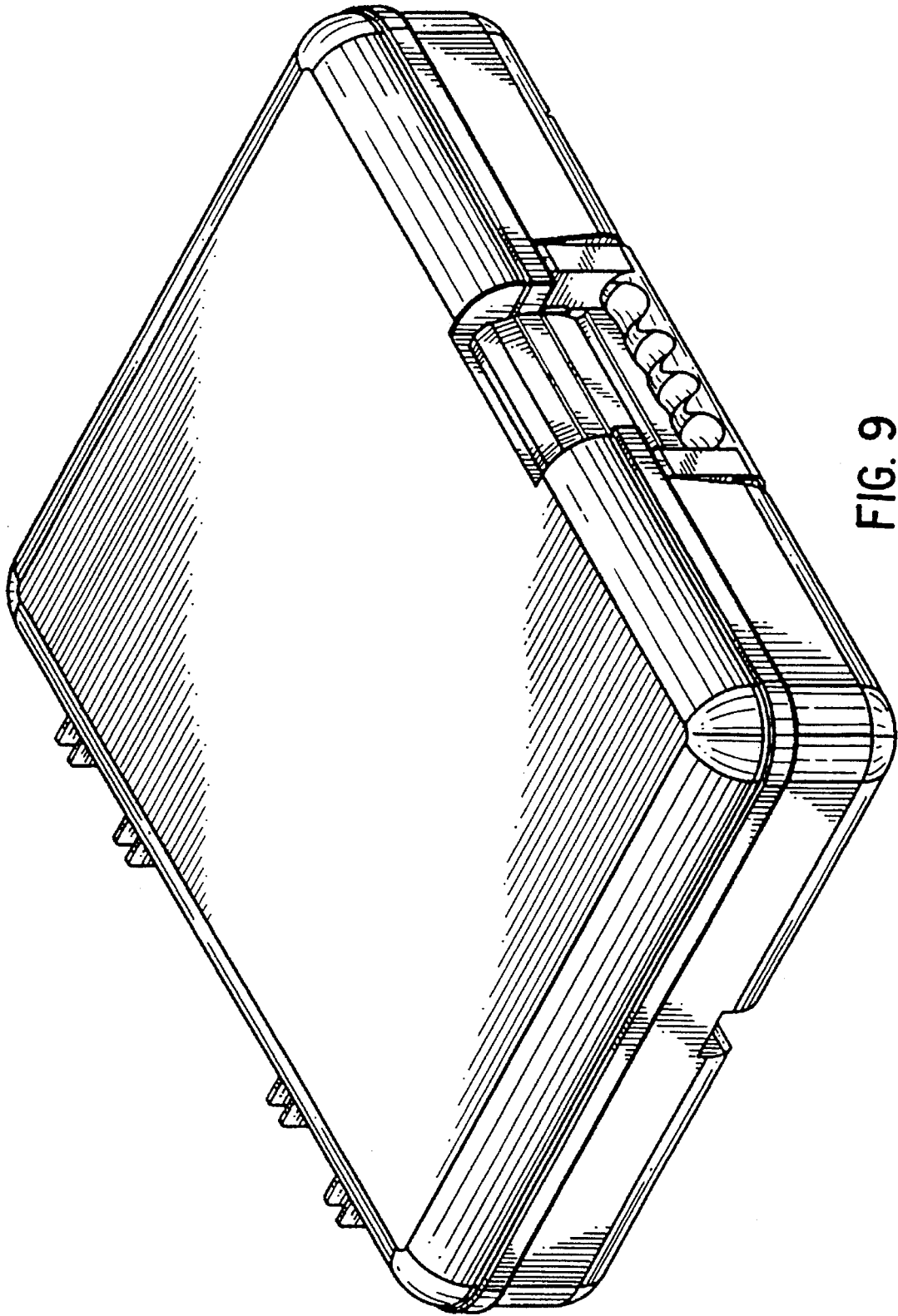


FIG. 9