



US00D396069S

# United States Patent [19]

[11] Patent Number: Des. 396,069

Urvoy

[45] Date of Patent: \*\*Jul. 14, 1998

[54] **TOY CABIN AND WINDSHIELD COMPONENT**

[75] Inventor: **Jean-Jacques Urvoy**, Paris, France

[73] Assignee: **Meccano, S.A.**, Calais, France

[\*\*] Term: **14 Years**

[21] Appl. No.: **67,482**

[22] Filed: **Mar. 12, 1997**

[30] **Foreign Application Priority Data**

Sep. 23, 1996 [XH] Hague Agreement ..... DM/037613

[51] **LOC (6) Cl.** ..... **21-01**

[52] **U.S. Cl.** ..... **D21/108; D21/141**

[58] **Field of Search** ..... D21/108, 109, D21/128, 134-141; 446/85, 88, 93-96, 102, 104, 120, 124, 470, 471, 465, 466, 469

[56] **References Cited**

**U.S. PATENT DOCUMENTS**

D. 285,101 8/1986 Nakata ..... D21/108

D. 309,929	8/1990	Olsen	.....	D21/108
D. 317,480	6/1991	Skov et al.	.....	D21/108
D. 331,432	12/1992	Jarnros	.....	D21/108
D. 335,153	4/1993	Skov	.....	D21/108
D. 341,170	11/1993	Olsen	.....	D21/141
D. 380,786	7/1997	Guegan et al.	.....	D21/108

*Primary Examiner*—Raphael Barkai  
*Attorney, Agent, or Firm*—Pennie & Edmonds LLP

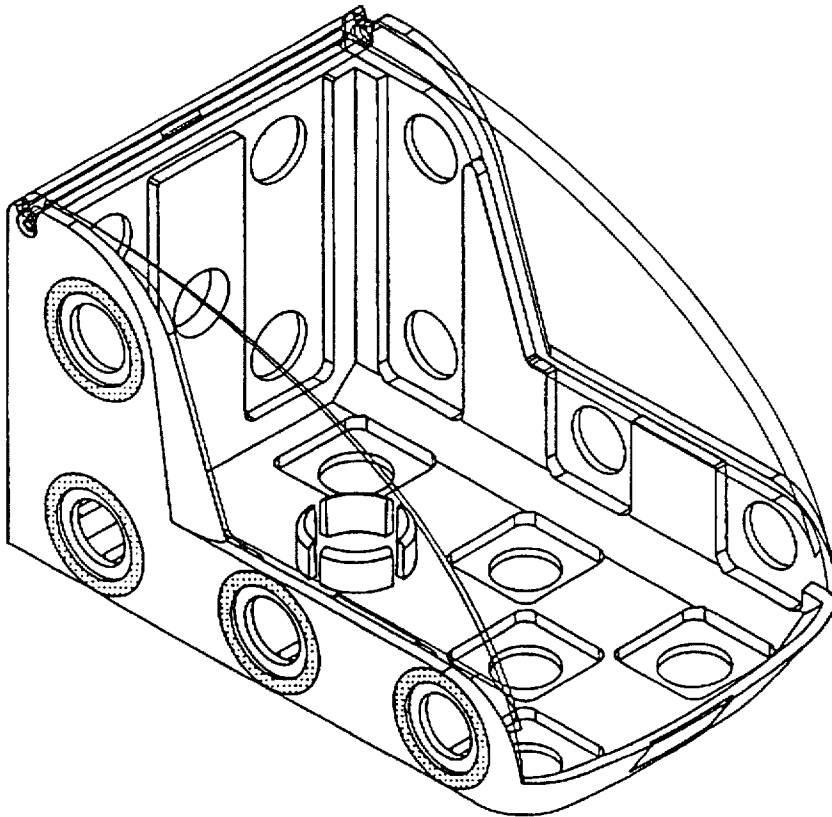
[57] **CLAIM**

The ornamental design for a toy cabin and windshield component, as shown and described.

**DESCRIPTION**

FIG. 1 is a perspective view of toy cabin and windshield component according to the invention;  
FIG. 2 is a top view thereof;  
FIG. 3 is a bottom view thereof; and,  
FIG. 4 is a left side elevational view thereof;  
FIG. 5 is a right side elevational view thereof;  
FIG. 6 is a front view thereof; and,  
FIG. 7 is a rear view thereof.

**1 Claim, 4 Drawing Sheets**



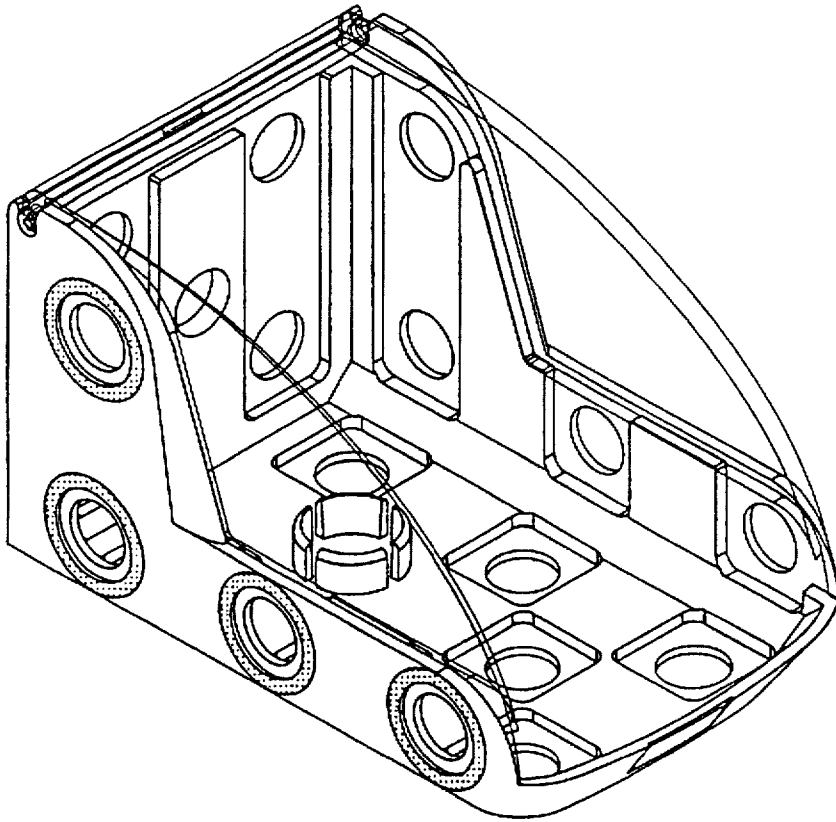


FIG. 1

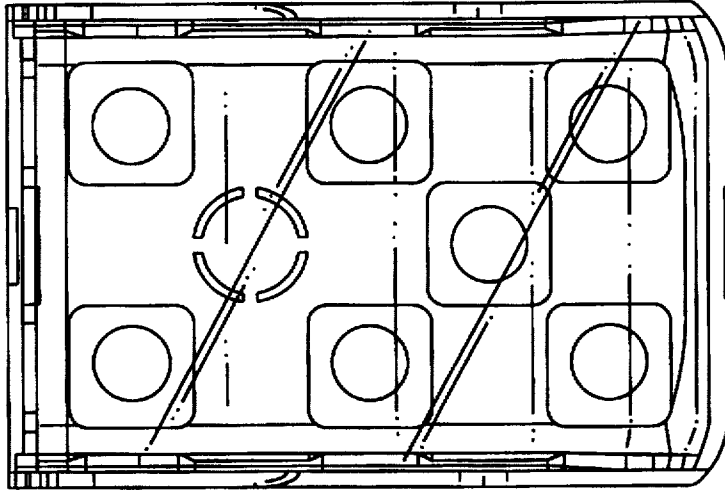


FIG. 2

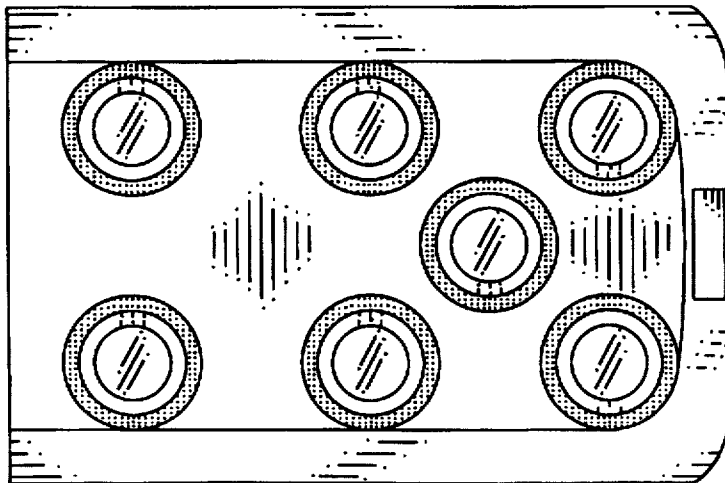


FIG. 3

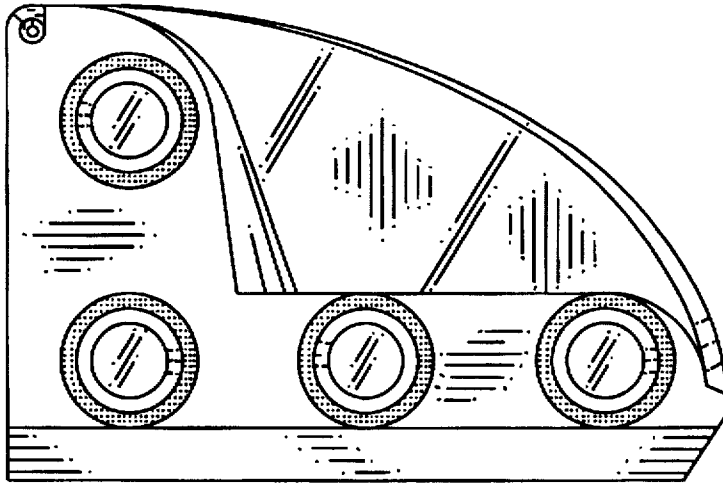


FIG. 4

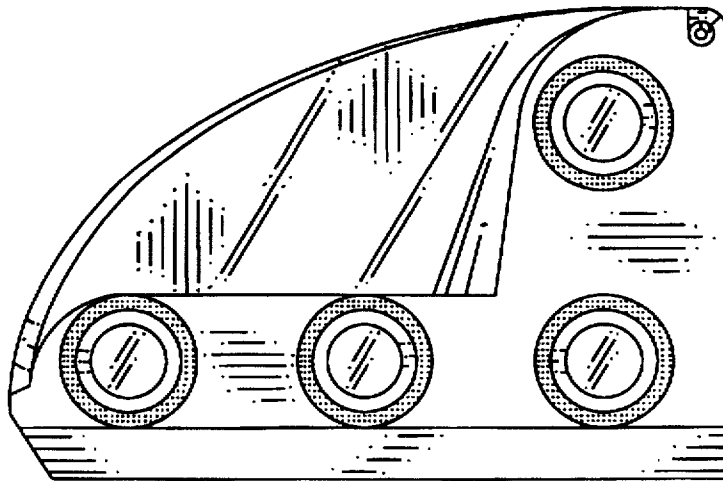


FIG. 5

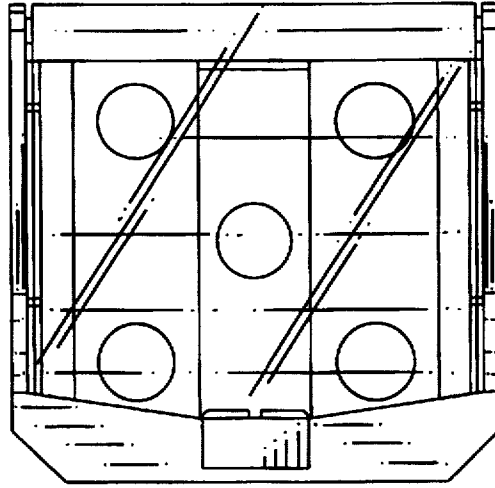


FIG. 6

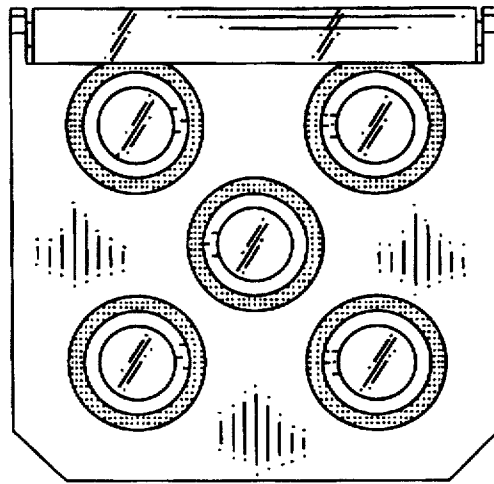


FIG. 7

UNITED STATES PATENT AND TRADEMARK OFFICE  
**CERTIFICATE OF CORRECTION**

Page 1 of 3

PATENT NO. : Des. 396,069  
DATED : July 14, 1998  
INVENTOR(S) : Jean-Jacques Urvoy

It is certified that error appears in the above-identified patent and that said Letters Patent is hereby corrected as shown below:

The title page should be deleted to appear as per attached title page.

In the Drawings:

Delete drawing sheet 1, and substitute therefor the drawing sheet, consisting of Fig. 1, as shown on the attached page.

Signed and Sealed this  
Fifteenth Day of September, 1998

Attest:



BRUCE LEHMAN

Attesting Officer

Commissioner of Patents and Trademarks

**United States Patent** [19]

**Urvoy**

[11] **Patent Number:** **Des. 396,069**

[45] **Date of Patent:** **\*\*Jul. 14, 1998**

[54] **TOY CABIN AND WINDSHIELD COMPONENT**

[75] **Inventor:** **Jean-Jacques Urvoy, Paris, France**

[73] **Assignee:** **Meccano, S.A., Calais, France**

[\*\*] **Term:** **14 Years**

[21] **Appl. No.:** **67,482**

[22] **Filed:** **Mar. 12, 1997**

[30] **Foreign Application Priority Data**

Sep. 23, 1996 [XH] Hague Agreement ..... DM/037613

[51] **LOC (6) CL** ..... **21-01**

[52] **U.S. CL** ..... **D21/108; D21/141**

[58] **Field of Search** ..... **D21/108, 109, 121/128, 134-141; 446/85, 88, 93-96, 102, 104, 120, 124, 470, 471, 465, 466, 469**

[56] **References Cited**

**U.S. PATENT DOCUMENTS**

D. 285,101 8/1986 Nakata ..... D21/108

D. 309,929	8/1990	Olsen	.....	D21/108
D. 317,480	6/1991	Skov et al.	.....	D21/108
D. 331,432	12/1992	Jamros	.....	D21/108
D. 335,153	4/1993	Skov	.....	D21/108
D. 341,170	11/1993	Olsen	.....	D21/141
D. 380,786	7/1997	Guegan et al.	.....	D21/108

*Primary Examiner*—Raphael Barkai  
*Attorney, Agent, or Firm*—Pennie & Edmonds LLP

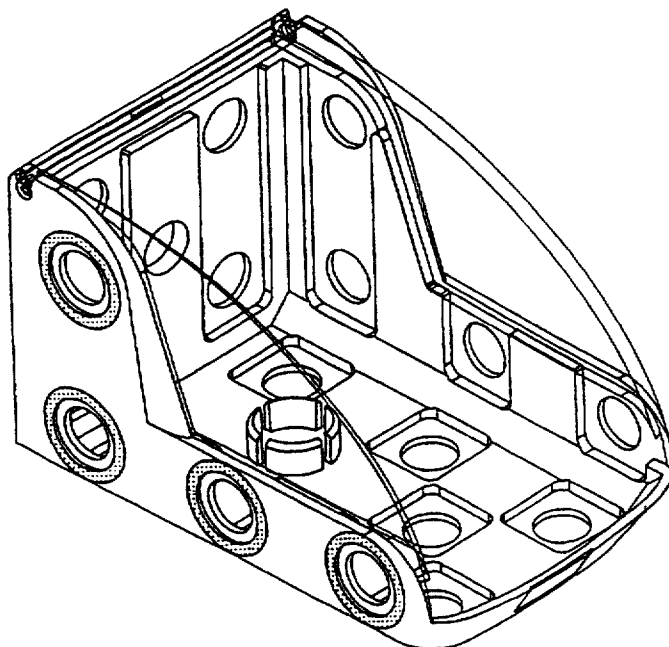
[57] **CLAIM**

The ornamental design for a toy cabin and windshield component, as shown and described.

**DESCRIPTION**

FIG. 1 is a perspective view of toy cabin and windshield component according to the invention; FIG. 2 is a top view thereof; FIG. 3 is a bottom view thereof; and, FIG. 4 is a left side elevational view thereof; FIG. 5 is a right side elevational view thereof; FIG. 6 is a front view thereof; and, FIG. 7 is a rear view thereof.

**1 Claim, 4 Drawing Sheets**



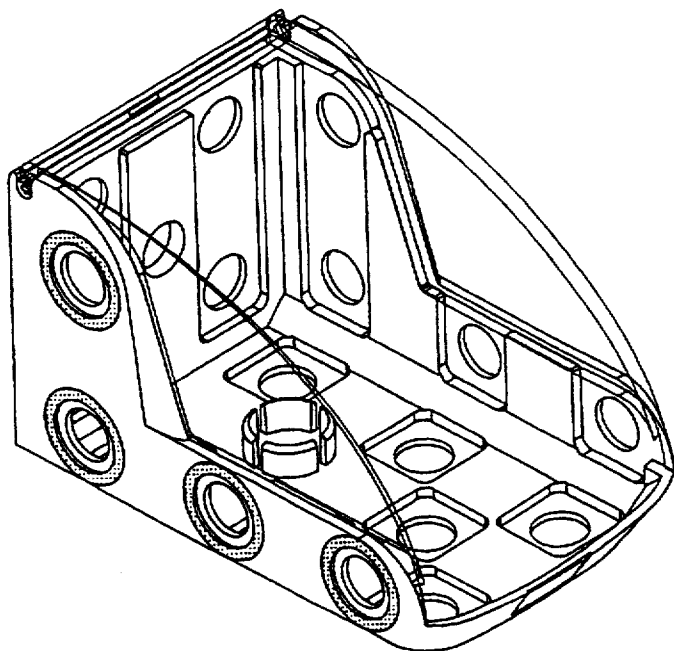


FIG. 1