



US00D429292S

# United States Patent [19]

[11] **Patent Number: Des. 429,292**

Urvoy

[45] **Date of Patent: \*\* Aug. 8, 2000**

[54] **SOUND AND LIGHT PART FOR TOY CONSTRUCTION KIT**

D. 359,571 6/1995 Abbott ..... D26/3  
D. 375,373 11/1996 Mele ..... D26/38

[75] Inventor: **Jean-Jacques Urvoy**, Paris, France

*Primary Examiner*—Marcus A. Jackson  
*Attorney, Agent, or Firm*—Pennie & Edmonds LLP

[73] Assignee: **Meccano, S.A.**, Calais, France

[\*\*] Term: **14 Years**

### [57] CLAIM

[21] Appl. No.: **29/051,018**

The ornamental design for a sound and light part for toy construction kit, as shown and described.

[22] Filed: **Mar. 1, 1996**

### DESCRIPTION

### [30] Foreign Application Priority Data

Oct. 2, 1995 [XH] Hague Agreement ..... D122520

FIGS. 1 and 2 are perspective views of an embodiment of a sound and light part for toy construction kit according to the invention;

[51] **LOC (7) Cl.** ..... **21-01**

FIG. 3 is a bottom side view thereof;

[52] **U.S. Cl.** ..... **D21/561**

FIG. 4 is a top side view thereof;

[58] **Field of Search** ..... D26/28-50; 313/113, 313/318, 485, 493, 579, 567, 568, 578, 580; D21/561

FIG. 5 is a front side view thereof;

FIG. 6 is a rear side view thereof;

FIG. 7 is a right side view thereof; and,

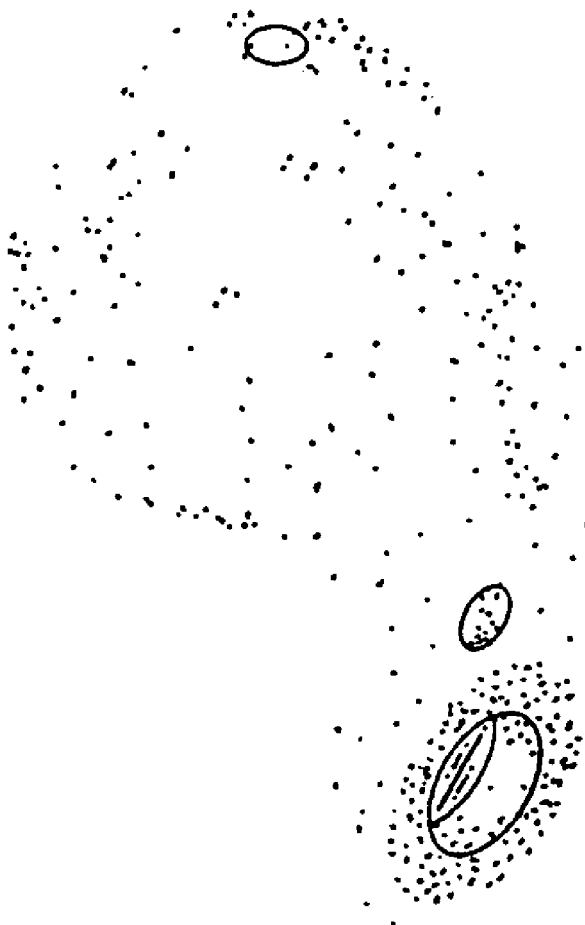
FIG. 8 is a left side view thereof.

### [56] References Cited

#### U.S. PATENT DOCUMENTS

D. 348,741 7/1994 Ellison et al. .... D26/38

**1 Claim, 2 Drawing Sheets**



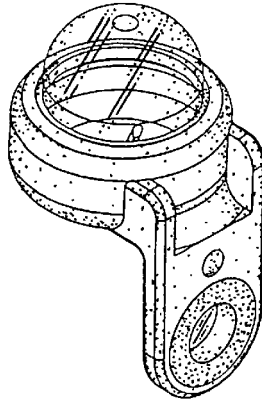


FIG. 1

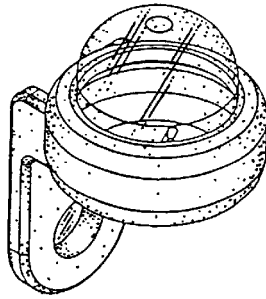


FIG. 2

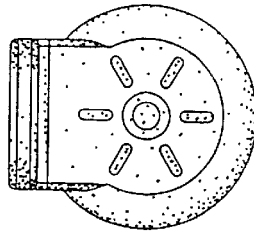


FIG. 3

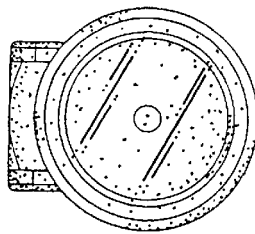


FIG. 4

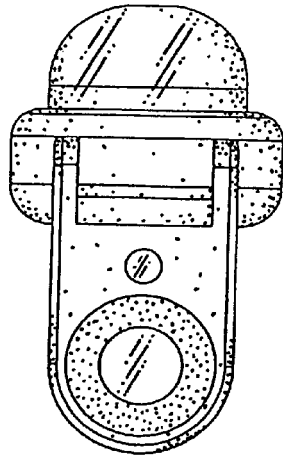


FIG. 5

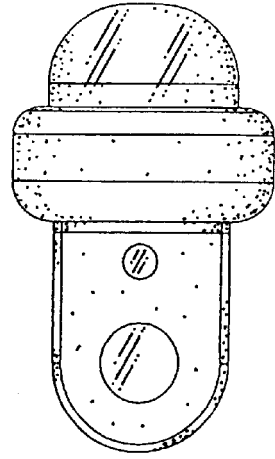


FIG. 6

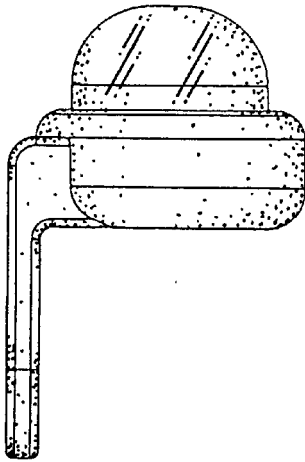


FIG. 7

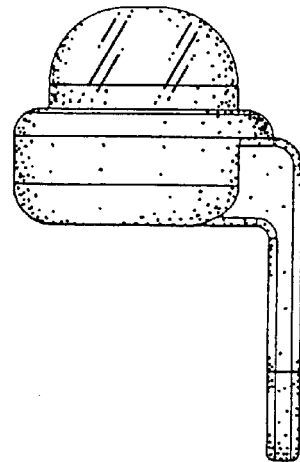


FIG. 8