



PATENT SPECIFICATION

DRAWINGS ATTACHED

L.137,395

Inventors: ANDRE ALBERT GILLERON
and FREDERICK THOMAS RISK

Date of filing Complete Specification (under Section 3 (3) of the Patents Act 1949): 3 June, 1966.

Application Date: 4 June, 1965.

No. 24035/65.

Application Date: 6 April, 1966.

No. 15412/66.

Complete Specification Published: 18 Dec., 1968.

© Crown Copyright 1968.

Index at acceptance:—B8 P(3, 6H2X); A4 T13N

Int. Cl.:—B 65 d 25/10

COMPLETE SPECIFICATION

Improvements in or relating to Merchandise Display Arrangements

We, MECCANO LIMITED, of Binns Road, Liverpool, 13, a British Company do hereby declare the invention, for which we pray that a patent may be granted to us, and the method by which it is to be performed, to be particularly described in and by the following statement:—

The present invention relates to merchandise display arrangements of the type in which the article to be displayed is enclosed in a box or container having one or more transparent sides. In these circumstances if full advantage of the transparent display is to be obtained, it is generally desirable that the box should be appreciably larger than the article which it encloses so that an all round view of the article can be obtained. Means must accordingly be provided for maintaining the article in the appropriate position in spite of handling of the container.

The object of the present invention is to provide a display arrangement in which the securing means are simple to assemble and which can accommodate articles of different size.

According to the invention, in a merchandise display arrangement having a base on which the article to be displayed is mounted and a shell having at least one transparent side, the shell being a tight fit on said base, the surface of the base is provided with a plurality of bosses each of which terminates in a slotted spigot which enter corresponding holes provided in the article.

The invention will be better understood from the following description of a preferred embodiment taken in conjunction with the accompanying drawings comprising Figs. 1—4. In the drawings,

Fig. 1 shows a side elevation of the display arrangement consisting of the base and the transparent shell in position on the base,

[Price 4s. 6d.]

Fig. 2 shows a plan view of the base,
Fig. 3 shows an enlarged view of one of the bosses and

Fig. 4 shows the socket provided on the article to be displayed.

The invention has particular application to the display of model vehicles and referring to the drawings and particularly to Figs. 1 and 2 thereof, the base 10 consists of a box-like member having an open underside and made of a suitable plastics material such as polypropylene or polyethylene. The sides 11 of the base are slightly tapered and the lower portion of the transparent shell 12 is similarly tapered so that the shell may easily be engaged with the base. The base is provided with two bosses 13 integrally moulded with the base and spaced apart by a distance such as to accommodate the smallest model vehicle it will be required to display. An enlarged view of one of the bosses is shown in Fig. 3 from which it is seen that it is provided with a spigot 14 which is slotted along one half diameter as shown at 15 from a central hole 16 having a diameter somewhat greater than the width of the slot. The slot is triangular in shape and the central hole is conical.

The spigots 14 may engage with holes formed in the base plate of the model vehicle the slot 16 in the spigot imparting a resilient characteristic to the spigot to facilitate engagement with the holes in the base plate. However, a preferred arrangement is for the spigots to engage in sockets formed on the base plate. Such a socket is shown in Fig. 4. Referring to this figure, the socket 17 is moulded integrally with the base plate 18 of the model vehicle and the internal surface of the socket is given a shape such as to ensure that once the slotted spigot has been inserted in the socket, the two parts will not become accidentally disengaged. In shaping the socket, the in-

5 ternal wall 19 is given a slight outward taper towards the top as shown in the drawing. Towards the bottom of the socket as shown in the drawing, a constriction is provided which presents a shoulder 20 facing upwardly and an edge surface 21 facing inwardly. The outer surface 22 of the constriction is chamfered. In this case the slotted spigot is provided with a necked portion as shown in the drawing which enables the head of the spigot to be "snapped" into the socket, the resilience of the spigot due to its slotted construction facilitating this operation. When the spigot is in position in the socket, the necked portion of the spigot rests on the constriction in the socket and enables the spigot to be held firmly in position and prevents accidental release of the model vehicle.

10 With this display arrangement, the model vehicle is displayed to its best advantage and further the mounting of the vehicle and the placing of the shell on the base are both very simple operations.

15 **WHAT WE CLAIM IS:—**

25 1. A merchandise display arrangement having a base on which the article to be displayed is mounted and a shell having at least one transparent side, the shell being a tight fit on said base, wherein the surface of the base is provided with a plurality of bosses each of which terminates in a slotted spigot which

enter corresponding holes provided in the article.

2. A merchandise display arrangement as claimed in claim 1, wherein the bosses are moulded integrally with the base. 35

3. A merchandise display arrangement as claimed in claim 1 or 2, wherein the base is in the form of a box-like container with an open underside and is made of a resilient plastics material. 40

4. A merchandise display arrangement as claimed in claim 1, wherein the holes in the articles are provided in socket members integrally moulded with the article. 45

5. A merchandise display arrangement as claimed in claim 4, wherein the end of the socket remote from the base is tapered and a constriction is provided towards the other end of the socket, the lower edge of the constriction being chamfered. 50

6. A merchandise display arrangement as claimed in any of the preceding claims and arranged for the display of model vehicles.

7. A merchandise display arrangement substantially as described with reference to the accompanying drawings. 55

POLLAK, MERCER & TENCH,
Chartered Patent Agents,
Audrey House, Ely Place,
London, E.C.1.,
Agents for the Applicants.

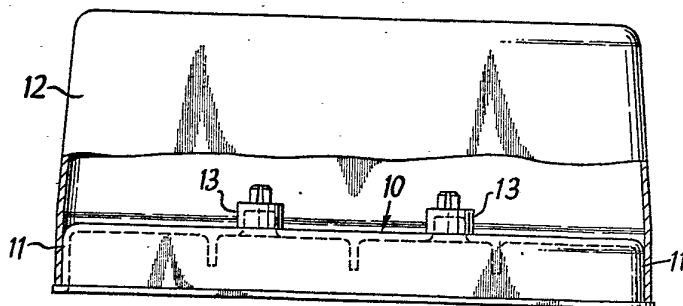


Fig. 1.

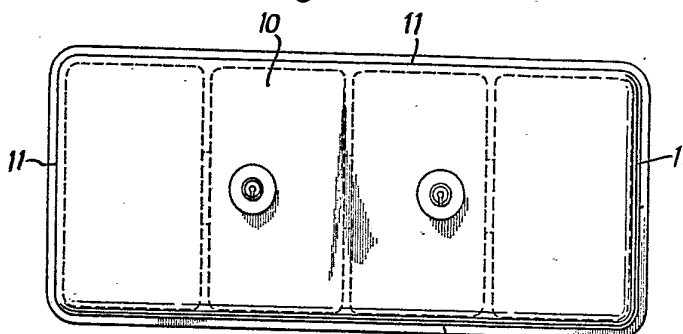


Fig. 2.

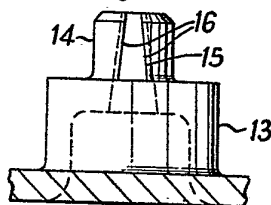


Fig. 3.

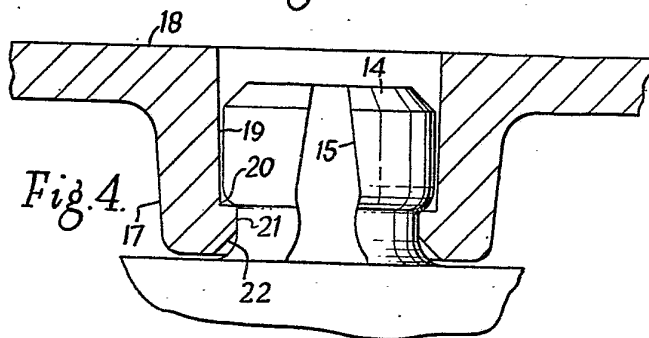


Fig. 4.