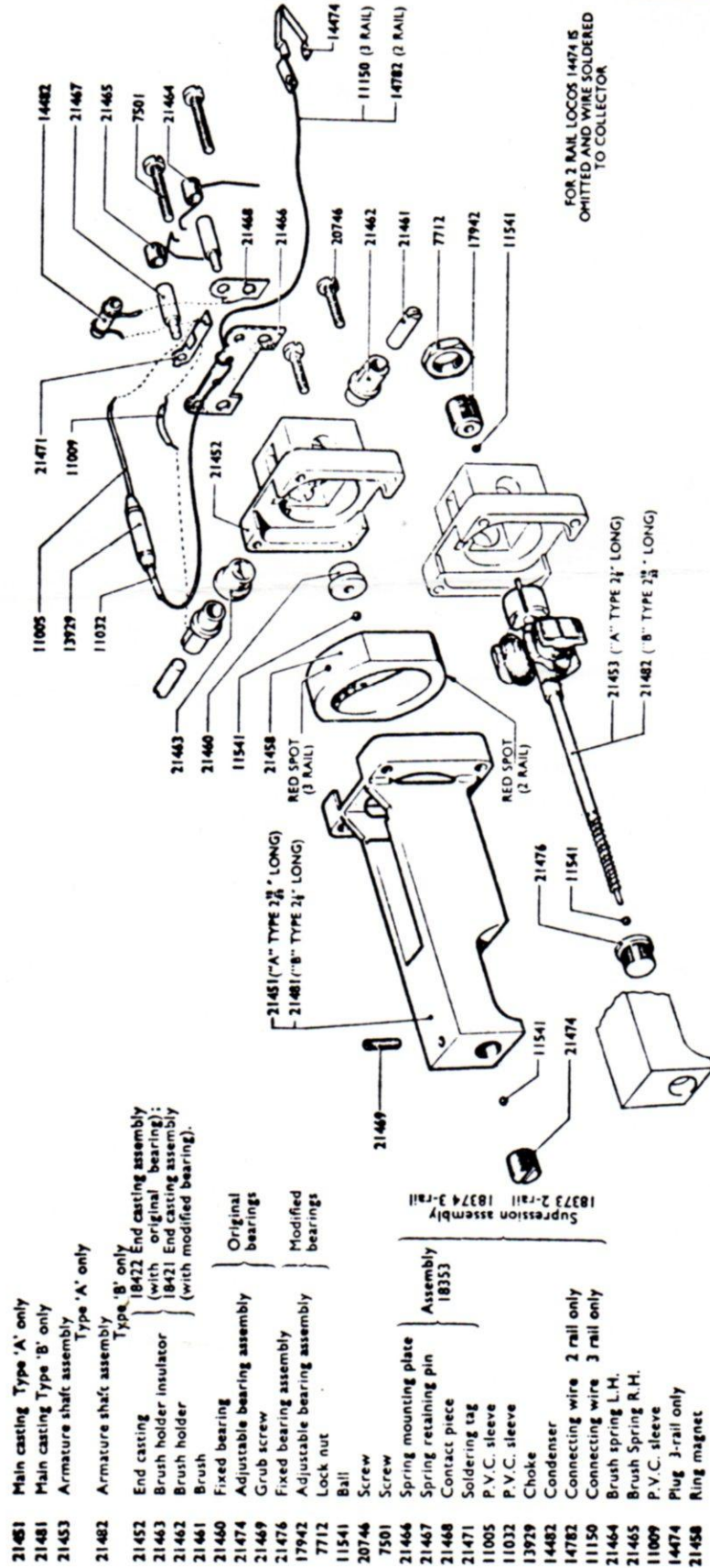


HORNBY DUBLO 1" MOTOR 2 & 3-RAIL - TYPE A. & B. OLD TYPE & NEW
 LOCOMOTIVES Nos. 2221, 2224, 2235 2-RAIL - LOCOMOTIVES Nos. 3221, 3224, 3235 3-RAIL



- 21451 Main casting Type 'A' only
- 21481 Main casting Type 'B' only
- 21453 Armature shaft assembly
- 21482 Armature shaft assembly Type 'A' only
- 21452 Armature shaft assembly Type 'B' only
- 18422 End casting assembly (with original bearing)
- 21463 Brush holder insulator
- 21462 Brush holder
- 21461 Brush
- 21460 Fixed bearing
- 21474 Adjustable bearing assembly
- 21467 Grub screw
- 21476 Fixed bearing assembly
- 17942 Adjustable bearing assembly
- 7712 Lock nut
- 11541 Ball
- 20746 Screw
- 7501 Screw
- 21466 Spring mounting plate
- 21467 Spring retaining pin
- 21468 Contact piece
- 21471 Soldering tag
- 11005 P.V.C. sleeve
- 11032 P.V.C. sleeve
- 13929 Choke
- 14482 Condenser
- 14782 Connecting wire 2 rail only
- 11150 Connecting wire 3 rail only
- 21465 Brush spring L.H.
- 11009 Brush Spring R.H.
- 14474 P.V.C. sleeve
- 21458 Plug 3-rail only
- Ring magnet