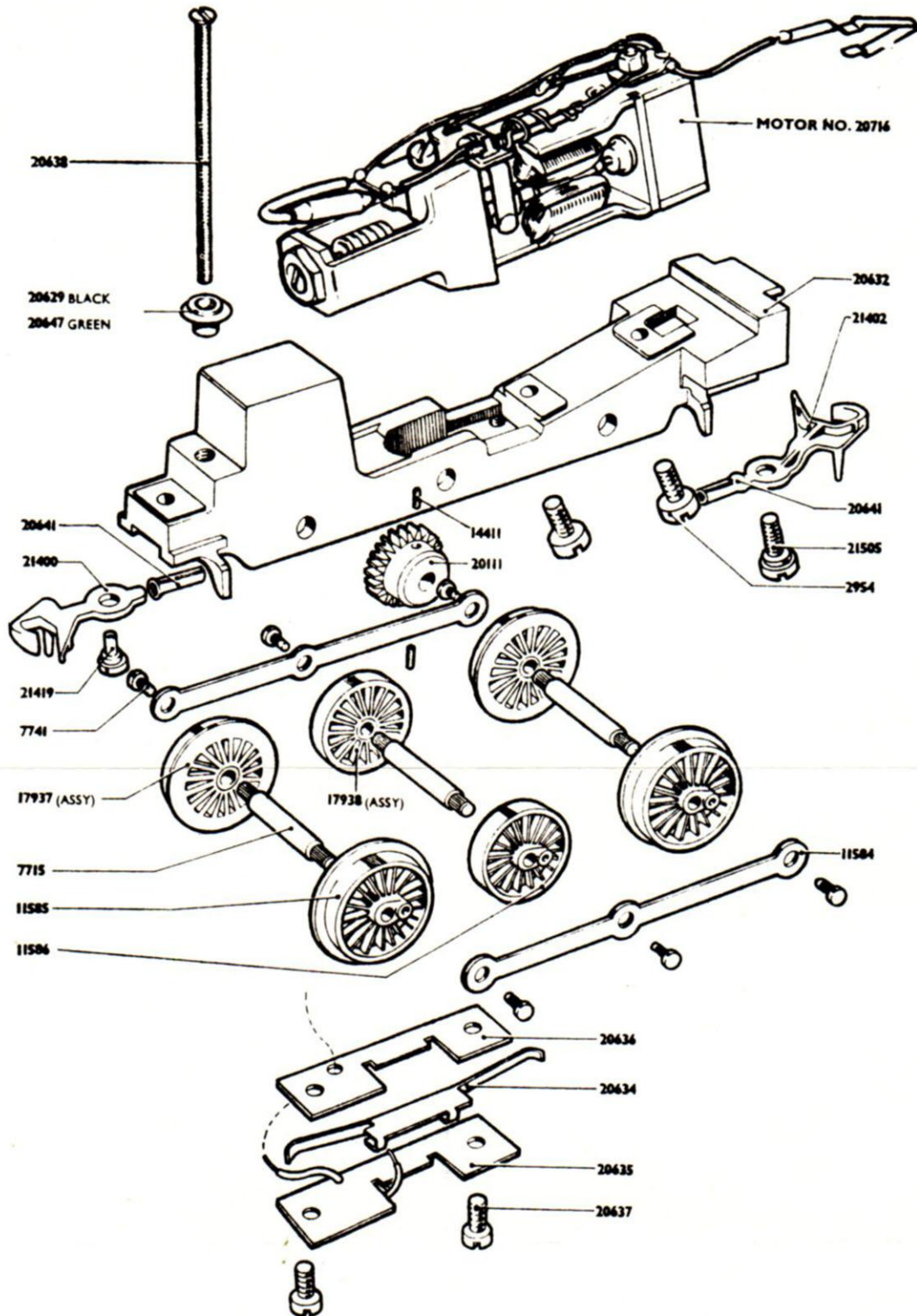


**0-6-0 TANK LOCOMOTIVE 2-RAIL**  
 No. 2206 and No. 2207


- |       |                                |       |                                     |
|-------|--------------------------------|-------|-------------------------------------|
| 20632 | Chassis                        | 20634 | Collector                           |
| 11585 | Wheel with flange              | 20635 | Collector mounting plate            |
| 11586 | Wheel without flange           | 20636 | Collector insulator                 |
| 17937 | Wheel with flange insulated    | 20637 | Screw securing collector gear       |
| 17938 | Wheel without flange insulated | 21400 | Coupling (front)                    |
| 11584 | Coupling rod                   | 21419 | Rivet securing front coupling       |
| 7741  | Coupling rod pin               | 21402 | Coupling (rear)                     |
| 7715  | Axle                           | 21505 | Shouldered screw                    |
| 20111 | Worm wheel                     | 20641 | Coupling spring                     |
| 14411 | Grub screw                     | 20638 | Screw (securing housing to chassis) |
| 20716 | Motor assembly                 | 20629 | Chimney top (black loco)            |
| 2954  | Screw securing motor assembly  | 20647 | Chimney top (green loco)            |