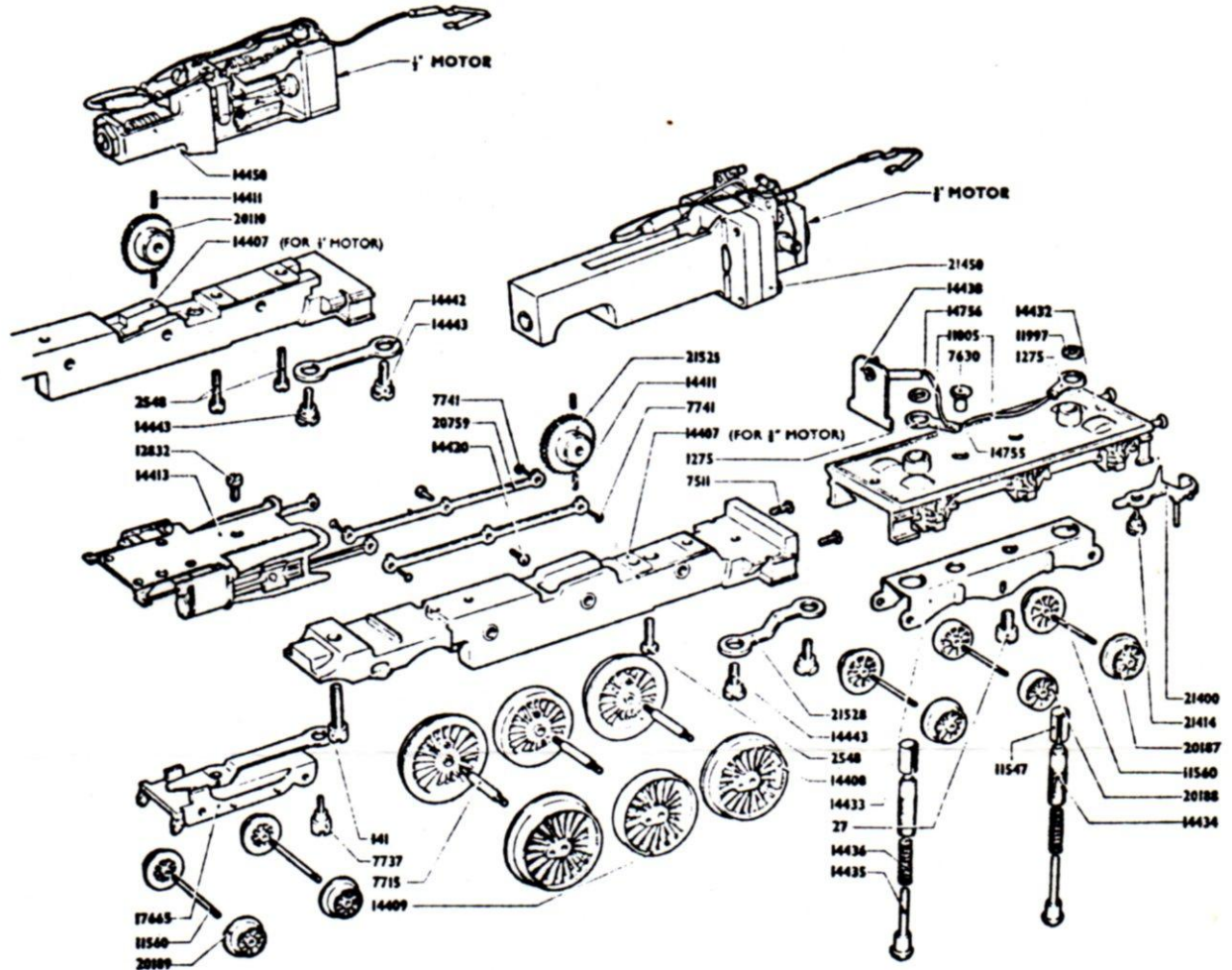


4-6-0 CASTLE CLASS LOCOMOTIVE AND TENDER 3-RAIL



- LOCOMOTIVE**
- 14407 Chassis (For Motor No. 21450)
 - 14408 Wheel with flange
 - 14409 Wheel without flange
 - 21525 Worm wheel
 - 14411 Grub screw
 - 14420 Connecting rod pin
 - 7715 Axle
 - 7741 Coupling rod pin
 - 20759 Coupling rod
 - 141 Screw
 - 7511 ..
 - 14413 Cylinder assembly
 - 12832 Screw
 - 12378 Bogie frame
 - 11542 Stud
 - 12381 Bracket
 - 11540 Axle
 - 20189 Wheel
 - 7737 Screw
 - 2548 ..
 - 21450 Motor assembly
 - 14443 Screw
- 17665 Bogie & bracket assembly
- 12377 Front bogie assembly
- TENDER**
- 14432 Chassis

- 14433 Underframe
 - 20187 Wheel with flange
 - 20188 Wheel without flange
 - 11540 Axle
 - 14434 Collector shoe holder
 - 14435 Collector shoe
 - 11997 Washer
 - 14436 Spring
 - 11547 Insulator
 - 27 Screw
 - 21400 Coupling
 - 21414 Rivet
 - 14756 Connecting wire
 - 1275 Soldering tag
 - 7630 Rivet
 - 11005 P.V.C. Sleeve
 - 14438 Insulator assembly
 - 14755 Connecting wire
 - 21528 Drawbar
 - 14443 Screw
- FOR 1/2" MOTOR—Items as stated, except for:
- 14407 Chassis (For Motor No. 14450)
 - 14450 Motor assembly
 - 20110 Worm wheel
 - 14442 Drawbar
- 17833 Underframe Assembly