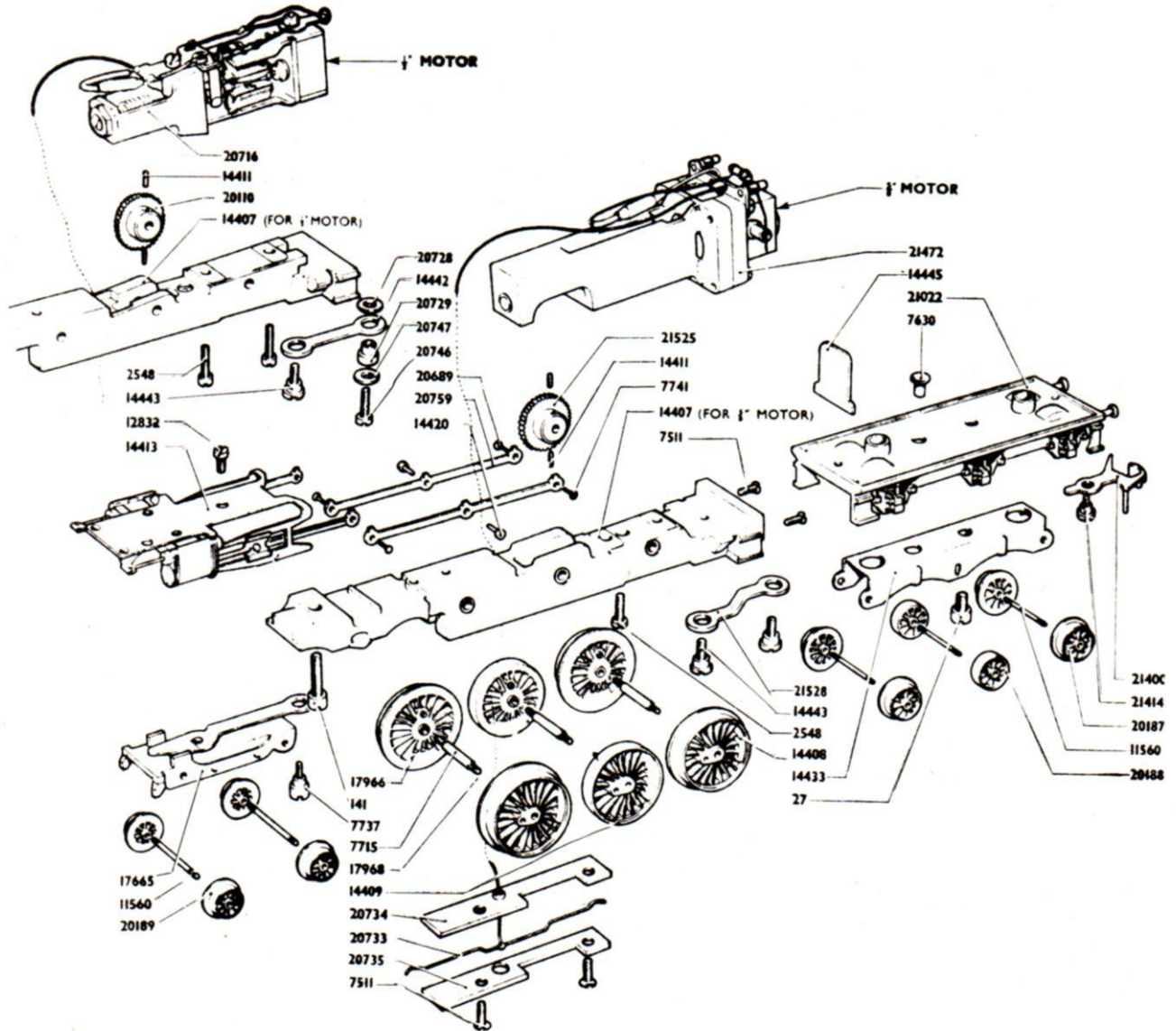


4-6-0 CASTLE CLASS LOCOMOTIVE AND TENDER 2-RAIL
No. 2220 ORIGINAL TYPE WITH $\frac{1}{2}$ " MOTOR — No. 2221 MODIFIED TYPE WITH $\frac{1}{4}$ " MOTOR



LOCOMOTIVE

- 14407 Chassis (For Motor No. 21472)
- 14408 Wheel with flange
- 14409 Wheel without flange
- 17966 Wheel with flange (with insulating bushes) assembly
- 17968 Wheel without flange (with insulating bushes) assembly
- 7715 Axle
- 20759 Coupling rod
- 7741 Coupling rod pin
- 20689 Coupling rod pin (insulated wheels)
- 21525 Worm wheel
- 14411 Grub screw
- 14420 Connecting rod pin
- 20733 Wire collector
- 20734 Base for collector
- 20735 Cover for collector
- 7511 Screw
- 21472 Motor assembly
- 2548 Screw

- 14413 Cylinder assembly
- 12832 Screw
- 12378 Bogie frame
- 11562 Stud
- 12381 Bracket
- 11560 Axle
- 20189 Wheel
- 7737 Screw
- 141 ..
- 7511 ..

TENDER

- 21022 Chassis
- 14433 Underframe
- 20187 Wheel with flange
- 20188 Wheel without flange
- 11560 Axle
- 27 Screw
- 21400 Coupling
- 21414 Rivet

- 14445 Front plate
- 21528 Drawbar
- 14443 Screw
- 7630 Rivet

FOR $\frac{1}{4}$ " MOTOR

- Items as stated except for:
- 14407 Chassis (For Motor No. 20716)
 - 20716 Motor assembly
 - 20110 Worm wheel
 - 14442 Drawbar
 - 20728 Washer
 - 20747 ..
 - 20746 Screw
 - 20729 Insulating bush

12377
Front
Bogie
Assembly

17833
Underframe
Assembly