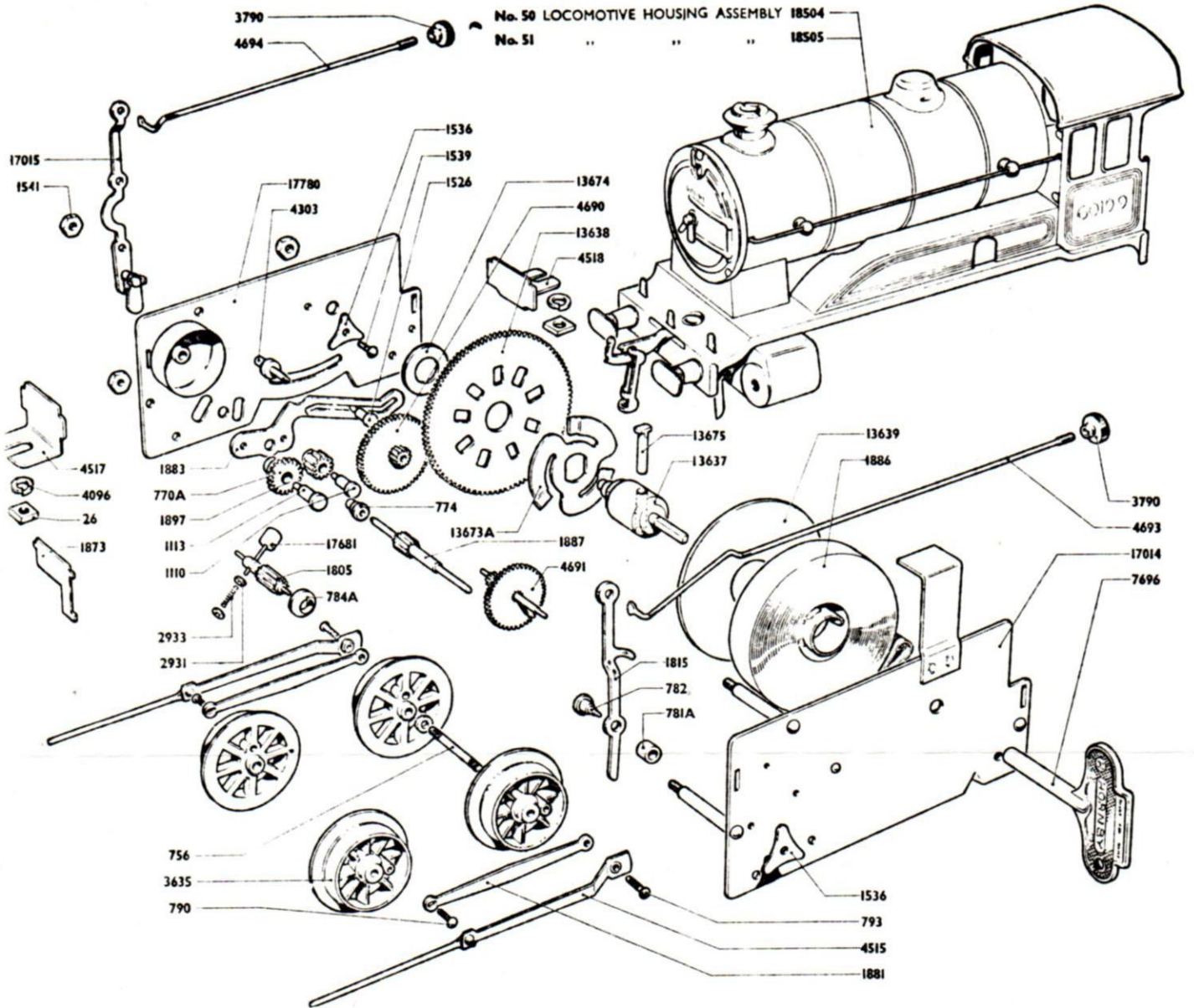


**No. 50 CLOCKWORK LOCOMOTIVE**



- 18504 Housing assembly — No. 50 locomotive
- 18505 " " " " No. 51 " "
- 7676 Winding key
- 4096 Spring washer
- 26 Nut

**4519 No. 50 Motor**

- 4677 L.H. sideplate
- 4689 Stop for mainspring
- 1128 Screwed pillars
- 10844 Check bracket
- 781A Brake lever collar
- 782 " " stud
- 1815 " " "
- 1536 Spring washer
- 4678 R.H. sideplate
- 1120 Governor box
- 1124A " bush
- 4686 Control lever
- 1137 Rail catch
- 4687 Stud for rail catch
- 770A No. 4 gear wheel
- 774 Bush for reversing lever
- 1110 Bearing for reversing pinion
- 1113 " " No. 4 gear wheel
- 1526 Sliding pin
- 1536 Spring washer
- 1539 Stud for control lever
- 1883 Reversing lever
- 1897 " pinion
- 4303 Stud for No. 2 gear

4675 L.H. sideplate assembly

4676 R.H. sideplate assembly

- 13637 Winding shaft
- 13638 No. 1 gear
- 13673A Ratchet
- 13674 Washer
- 13675 Mainspring pin
- 13639 Mainspring guard
- 4690 No. 2 gear and pinion assembly
- 4691 No. 3 " " " "
- 1887 Driving shaft
- 1805 Governor pinion
- 1806 " weight
- 1808A " pin
- 2933 " spring
- 2931 " washer
- 784A Brake disc
- 4516 Piston rod
- 1882 Connecting rod
- 791 " bush
- 789 " rivet
- 1541 Fixing nut — 6 B.A. hex.
- 756 Rear axle
- 790 Pin for coupling rod
- 793 " connecting rod
- 3635 Wheel
- 1881 Coupling rod
- 3790 7 B.A. nut for brake and reversing rods
- 4693 Brake lever rod
- 4694 Reversing lever rod
- 1873 Brake controller
- 1886 Mainspring
- 4517 Front fixing bracket
- 4518 Rear " "

13636 No. 1 gear assembly

4692 governor assembly

4515 Piston and conn. rod assembly