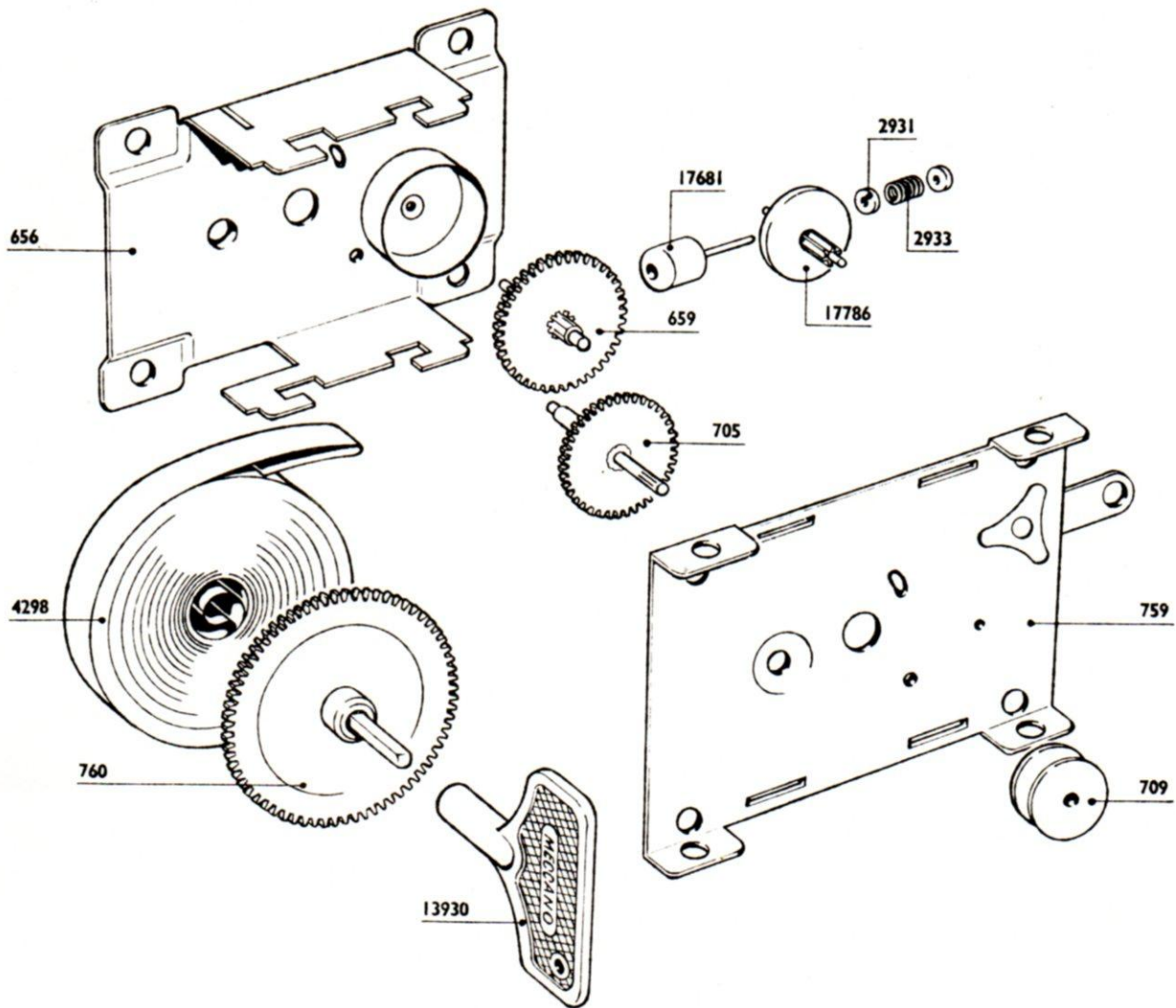


MECCANO MAGIC CLOCKWORK MOTOR



- | | | | | | | |
|--------------------|---|---------------------------|--------------------|---|--------------------------------|-------------------------|
| 651 Top Plate | } | 656 Top Plate Assembly | 10137 No. 3 Pinion | } | 705 Driving Pinion Assembly | |
| 2936 Governor Box | | | 2924 No. 3 Gear | | | |
| 761 Bottom Plate | } | 759 Bottom Plate Assembly | 2930 Pinion | } | 17786 Pinion and Disc Assembly | |
| 653 Brake Lever | | | 2935 Brake Disc | | | |
| 1536 Spring Washer | | | 1808 Pin | } | 17681 Pin and Weight Assembly | } 658 Governor Assembly |
| 1539 Fulcrum Pin | | | 1806 Weight | | | |
| 800 No. 1 Gear | } | 760 No. 1 Gear Assembly | 2931 Washer | } | 2933 Spring | |
| 2914 Distance Bush | | | 4298 Mainspring | | | |
| 708 Winding Shaft | | | 709 Pulley | | | |
| 2917 Spring Catch | | | 13930 Winding Key | | | |
| 2918 Bush | | | | | | |
| 4193 No. 2 Gear | } | 659 No. 2 Gear Assembly | | | | |
| 654 No. 2 Pinion | | | | | | |