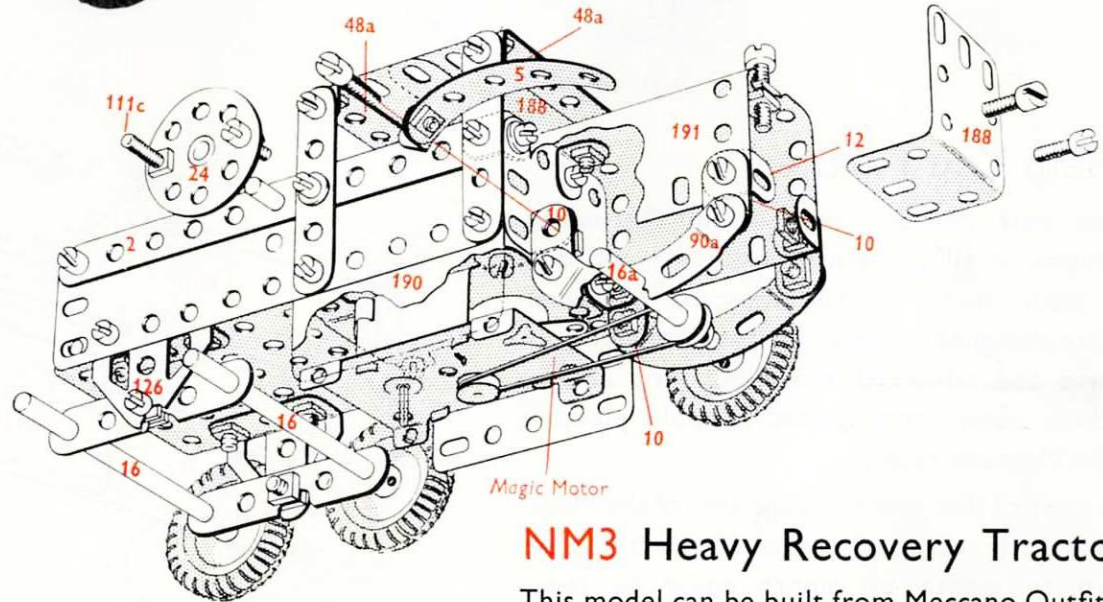
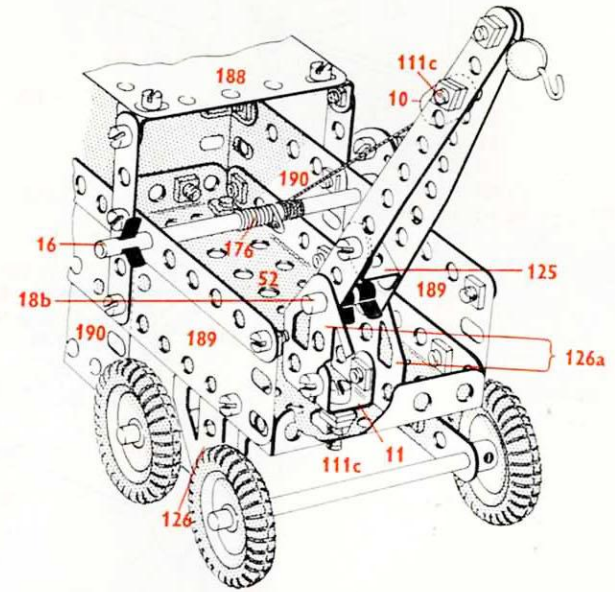


More New Models for you to build!



More New Models Leaflet No. 2

This leaflet is supplied free to Members of the Meccano Guild and other Registered Owners of Meccano Outfits.



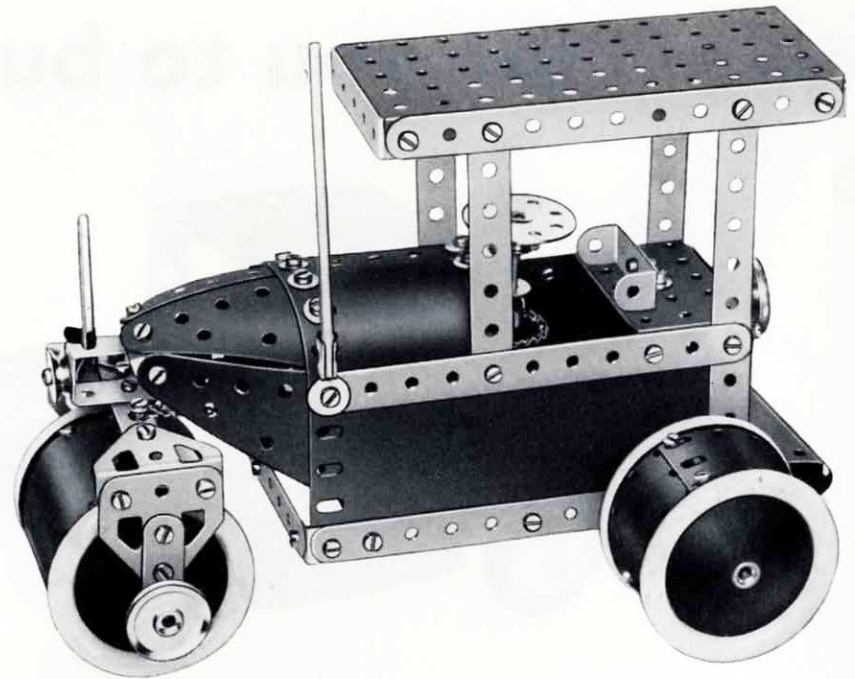
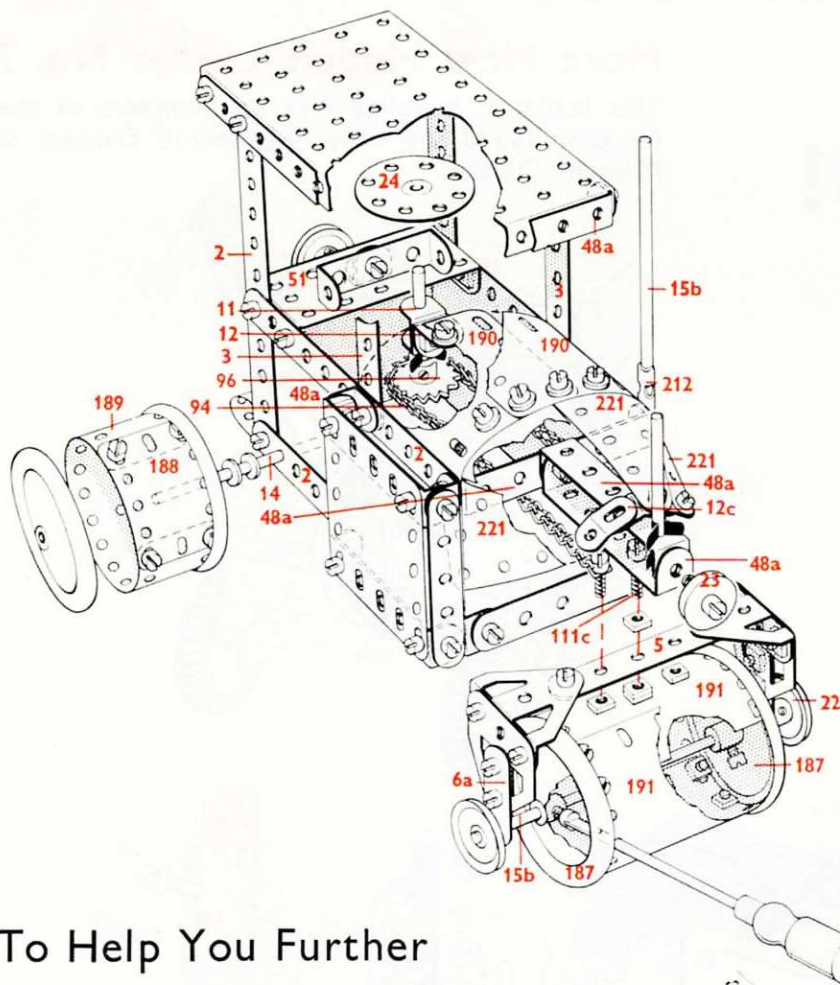
Model Building the Modern Way

The constructional details of the models shown in this leaflet are explained by means of photographs and line drawings. There are no tedious instructions to read through and you will find that it is much more fun building by this new method — rather like a real engineer working from his 'blueprints'! Once you have got the knack of reading the drawings, you will find the assembly of the models quite easy to follow. Generally the particular parts used in the assembly of a model can be identified simply by looking at the illustrations, but where the identity of a part may not be quite clear, its Part Number is indicated in the model illustrations in **RED**.

NM3 Heavy Recovery Tractor

This model can be built from Meccano Outfit No. 2 plus the following additional parts:

2 of No. 5	1 of No. 16a	16 of No. 37b
1 — — 10	1 — — 18b	2 — — 142c
1 — — 12	2 — — 22	1 — — 188
1 — — 16	14 — — 37a	Magic Motor

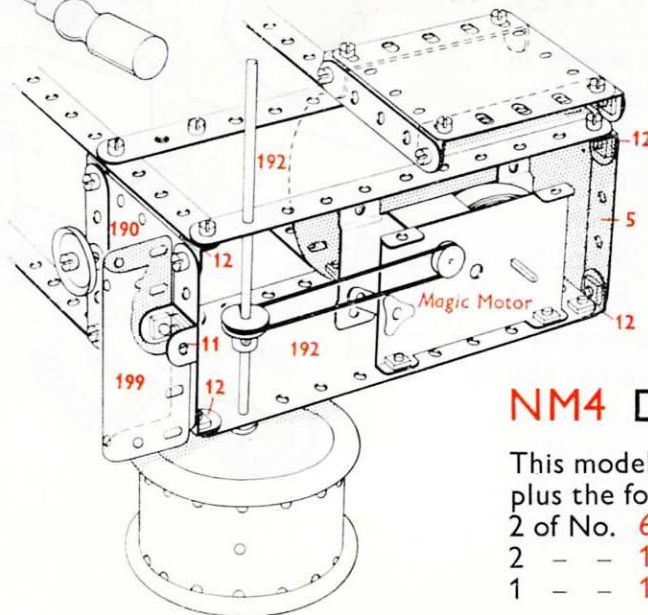


To Help You Further

Splendid new Meccano models and fascinating mechanisms of all kinds are illustrated and described each month in the *Meccano Magazine*. These are designed to cater for the needs of both beginners and advanced model-builders, and to help them obtain the utmost possible pleasure from the Meccano hobby.

At the start of this year the page size of the Magazine was enlarged so that the Meccano models referred to month by month could be more effectively illustrated.

Order your copy now from any Meccano dealer or newsagent.



NM4 Diesel Road Roller

This model can be built from Mecanno Outfit No. 4 plus the following additional parts:

2 of No. 6a	1 of No. 48a	2 of No. 187
2 - - 12	1 - - 94	Magic Motor
1 - - 14	1 - - 96	