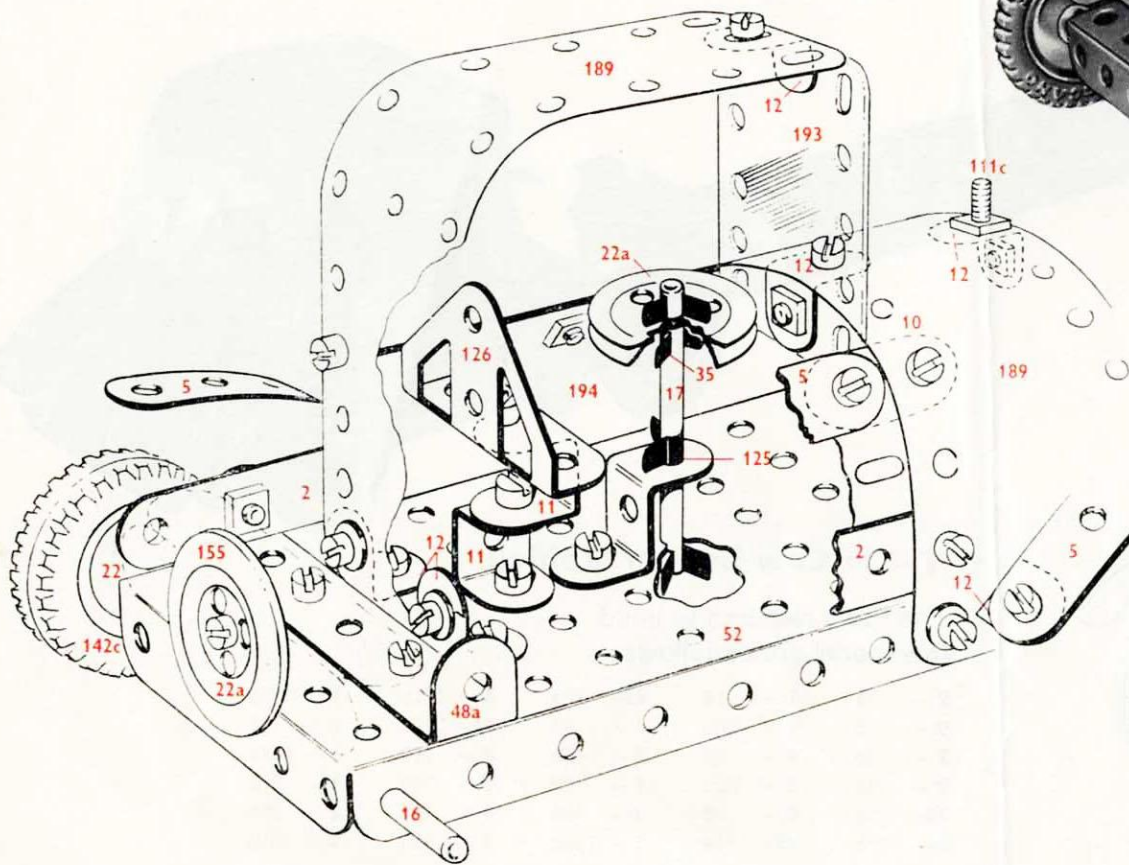
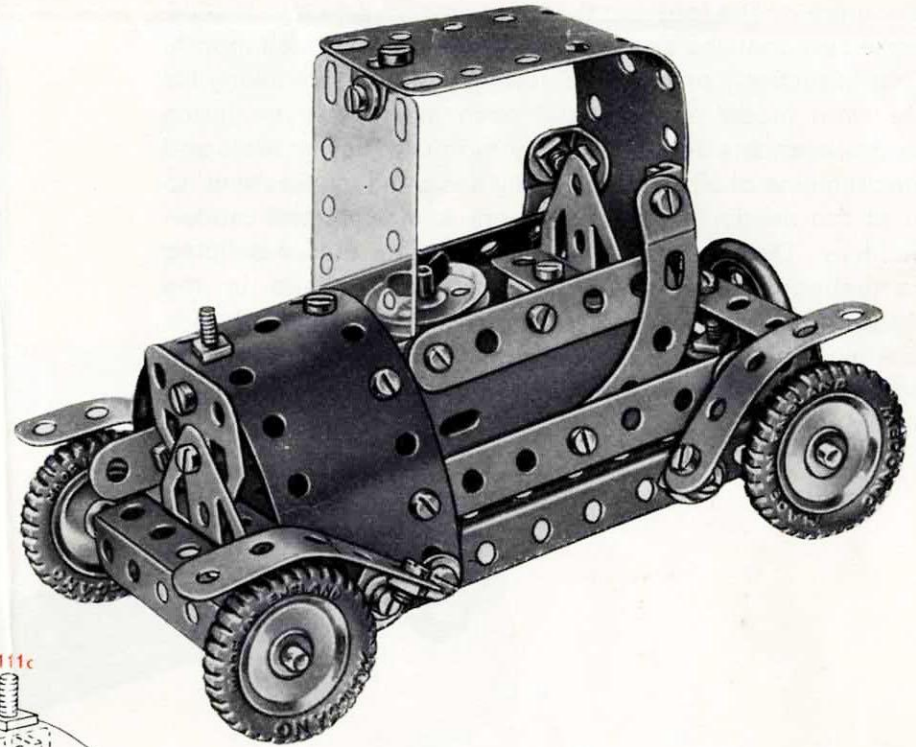


More New Models for you to build!

The constructional details of the models shown in this Leaflet are explained by means of photographs and line drawings and you will find the construction quite easy to follow. In most cases the particular Meccano Parts used in the building of the models can be identified simply by looking at the illustrations, but in cases where the identity of a Part may not be quite clear, its Part Number is indicated in the illustrations in **RED**.

More New Models Leaflet No. 7



NM 13 Veteran Motor Car

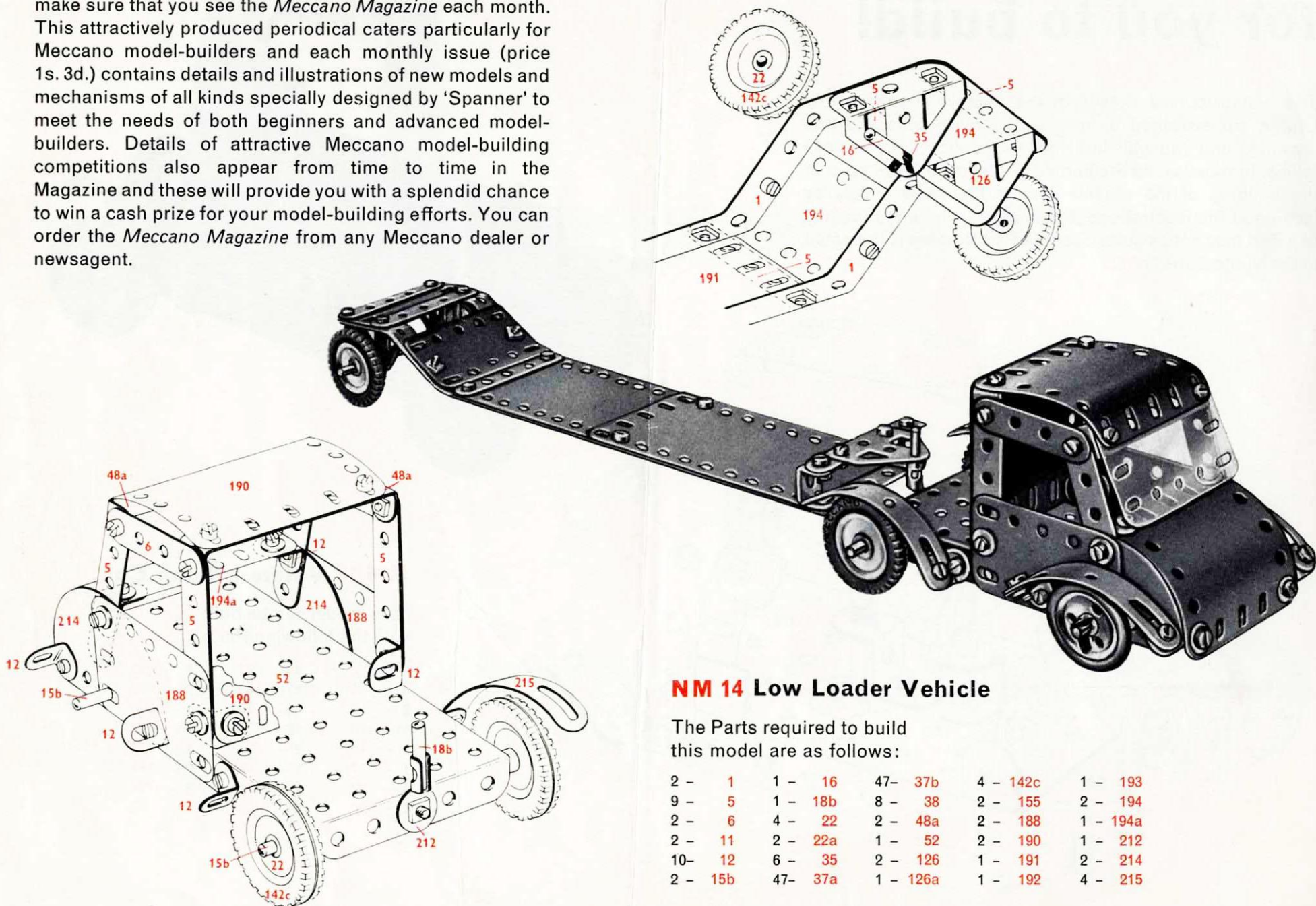
This model can be built
with the following Parts:

2 of	2	4 -	35	1 -	125
8 -	5	47-	37a	2 -	126
3 -	11	45-	37b	1 -	126a
11-	12	12-	38	4 -	142c
2 -	16	2 -	48a	1 -	155
1 -	17	1 -	52	2 -	189
4 -	22	2 -	90a	2 -	194
2 -	22a	2 -	111c		

Still More New Models for you to build !

If you are on the look-out for more new models you should make sure that you see the *Meccano Magazine* each month. This attractively produced periodical caters particularly for Meccano model-builders and each monthly issue (price 1s. 3d.) contains details and illustrations of new models and mechanisms of all kinds specially designed by 'Spanner' to meet the needs of both beginners and advanced model-builders. Details of attractive Meccano model-building competitions also appear from time to time in the Magazine and these will provide you with a splendid chance to win a cash prize for your model-building efforts. You can order the *Meccano Magazine* from any Meccano dealer or newsagent.

More New Models Leaflet No. 7



NM 14 Low Loader Vehicle

The Parts required to build this model are as follows:

2 - 1	1 - 16	47- 37b	4 - 142c	1 - 193
9 - 5	1 - 18b	8 - 38	2 - 155	2 - 194
2 - 6	4 - 22	2 - 48a	2 - 188	1 - 194a
2 - 11	2 - 22a	1 - 52	2 - 190	1 - 212
10- 12	6 - 35	2 - 126	1 - 191	2 - 214
2 - 15b	47- 37a	1 - 126a	1 - 192	4 - 215