

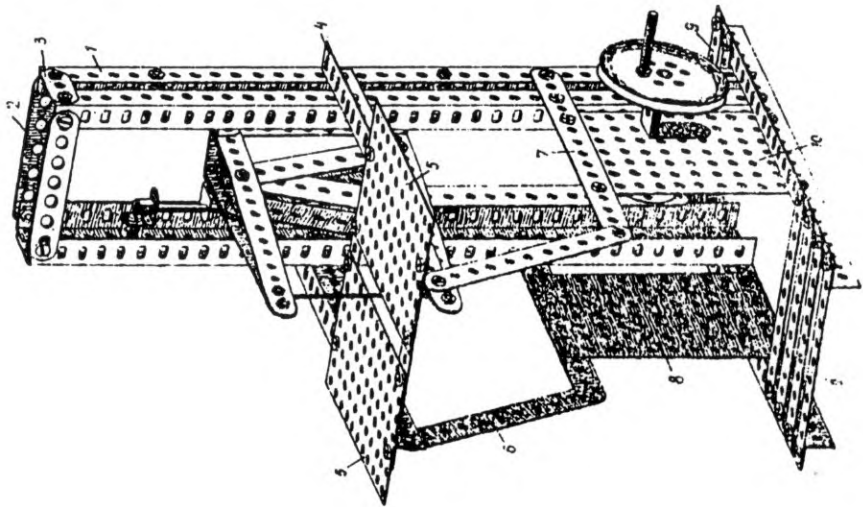
NAME	DITMAR METALLBAUKASTEN	
TYPE	Mechanical Engineering.	
HOLE DIAMETER	3.7mm	HOLE SPACING 8.5mm
SETS IN SYSTEM	Perhaps only one.	
DIFFERENT PARTS	56	
COLOUR	Black, red and natural aluminium.	
FIXING METHOD	Nut and Bolt. (M3.5)	
MOTORS		
PERIOD	Late 1940s to 1952	
MANUFACTURER		
COMMENTS	A box lid is shown in Tafel 60 of <i>Eisenseit</i> .	
OTHER SYSTEMS NEWSLETTER	15/413, 36/1079, 42/1260	

MATERIAL SUPPLIED BY Jeannot Buteux/Constructorama.

Nr. 44

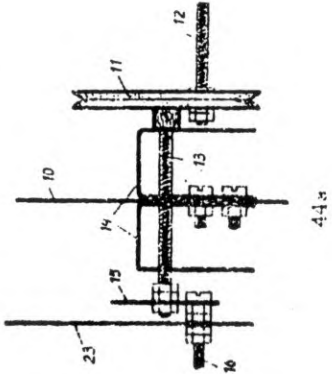
Automatic bow saw

Scie en archet mécanique Sierra de arco mecánica  
Mechanische Bogensäge



Construction parts:  
Parts de construction:  
Partes de construcción:  
Bauteile:

7	—	F 15	4	—	W 35
8	—	F 11	2	—	W 23
6	—	F 9	2	—	W 19
2	—	F 7	8	—	W 1
2	—	F 3	2	—	U 5
			2	—	U 3
			4	—	Pl
			1	—	Sch 2
			1	—	G 6
			3	—	G 3
			2	—	A 13
			8	—	St
			1	—	SR 2
			58	—	S 1
			9	—	S 2
			88	—	M
			5	—	MS



*Itzmer*

**METALLBAUKASTEN**