

NAME EL INGENIERO MECANICO Venezuela

TYPE Constructional Engineering

HOLE DIAMETER 4.7mm HOLE SPACING 12.7mm

SETS IN SYSTEM #2,3,4,5 known. #5 is believed to be the largest.

DIFFERENT PARTS About 50.

COLOUR Parts seen are a 5-hole Strip and Flat Trunnion in their natural aluminium colour (the Strip has an unusual 'crackle' finish); and a 3-hole Flat Girder painted blue one side and white the other. The main colour though is blue, with red and yellow plastic Wheels.

FIXING METHOD Nut and bolt.

MOTORS None.

PERIOD Sets on sale in 1987.

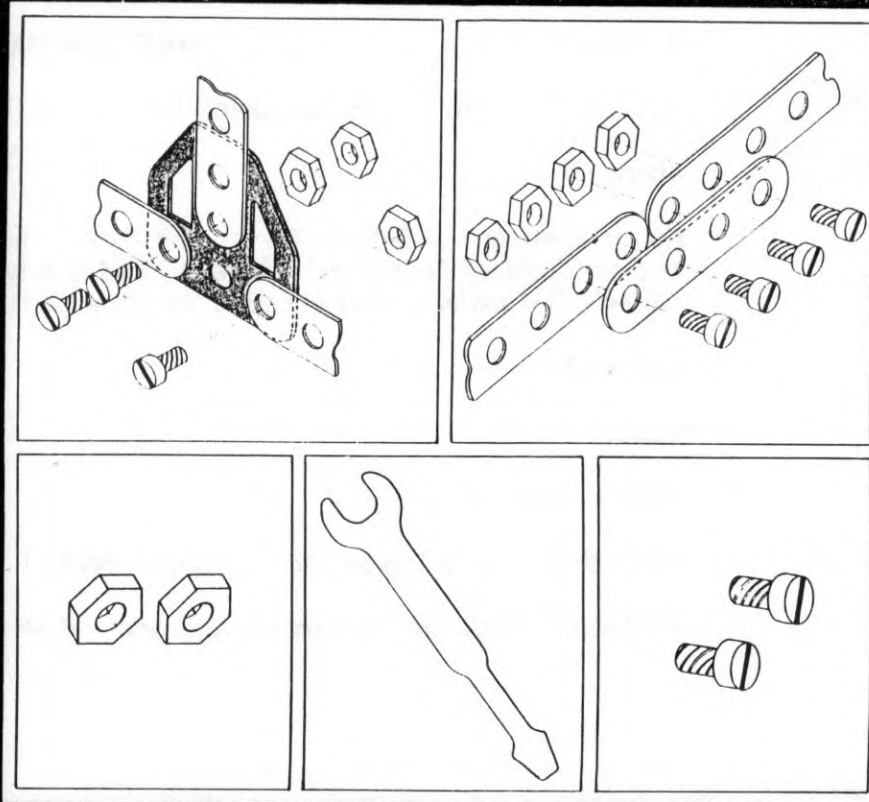
MANUFACTURER Inversiones Los Payos, C.A., Apdo. Postal 17484, Parque Central, Caracas. Venezuela.

COMMENTS Parts are made of aluminium and are rather flimsy, especially the Strips.

OTHER SYSTEMS 6/117

NEWSLETTER

MATERIAL SUPPLIED BY Ike Ascher.



El Ingeniero Mecánico



The Mechanical Engineer



L' Ingegnere Meccanico



L' Ingenieur Mecanique

# el ingeniero mecánico



[The parts shown are coloured silver except for the green Trunnion]

No official List of Parts is available; the parts below have been identified as being used in the models in the manual. Where PNs are used they refer to MECCANO parts but the number and type of holes may vary. Slotted holes are BRAL type with large radiused ends. The list is not complete, for example the 3-hole Flat Girder shown below, from a #5 set, is not in it.

Strips: 2,4,5,7,9,10,16 holes.

DAS: 1x3x1 and 1x5x1 holes.

Plates with 1 flanged side: 3x2, 5x2, 10x2 holes )\_ The flanges run along

Plates with 2 flanged sides: 5x3, 5x5, 5x10 holes )

Perforated Plates: 3x3, 3x5 holes.

Brackets: PN 11, 12, 12b, 45, 125, 126, 126a.

Misc: Nut, Bolt, Spandriver, Axles (perhaps 2" and 3½"), PN 19s, Hook, Cord, push fit Collar.

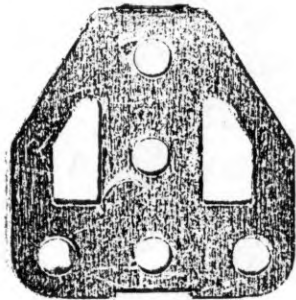
A/G: 2,3,4,5 holes long.

Flat Girders: 5,10 holes long.

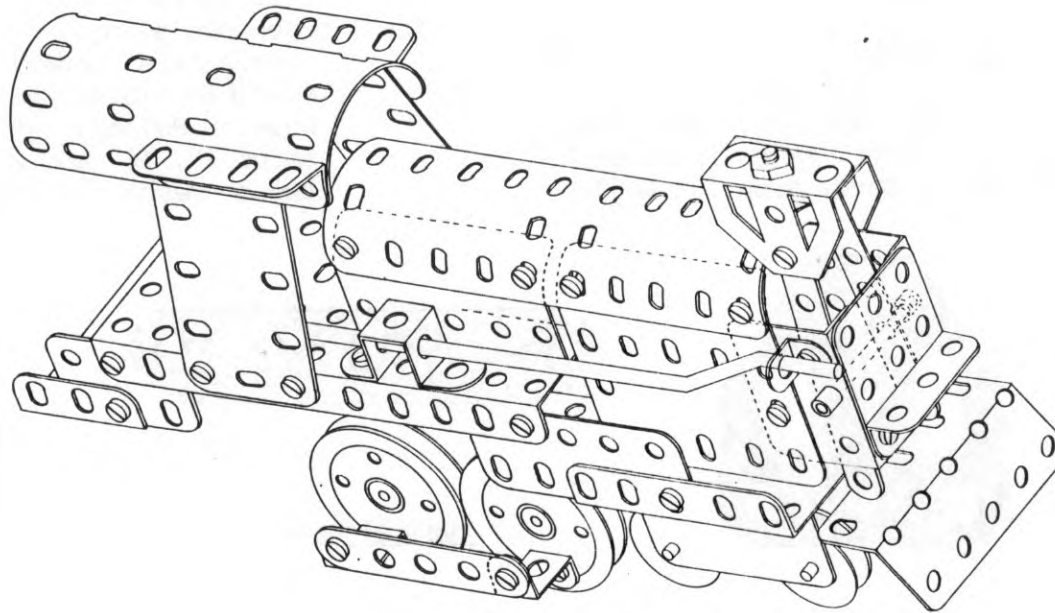
the side(s) underlined.

Flexible Plates: 5x3, 5x5, 5x7, 5x10 holes.

Wheels: Pulleys with boss in 3 sizes, perhaps about 1", 1½" and 2" dia, with 'Tyres' to fit two or maybe all three of them.



Typical Parts.



Locomotora  
Locomotive  
Locomotiva  
Locomotive



[This is a #5 Set model]