

TOY TOWN[1]

Australia

TYPE Simple Engineering

HOLE DIAMETER 3.4mm HOLE SPACING 9.53mm (1/8")

SETS IN SYSTEM Total of 1:

DIFFERENT PARTS 5

COLOUR Nickel plated steel

FIXING METHOD Nut and bolt (1/8W)

MOTORS None

PERIOD About 1940 to 1950

MANUFACTURER J.B. Morgan & Sons, 17 Guildford Lane, Melbourne & 70 Sydney St, Coburg

COMMENTS Possibly the least number of parts seen in any system. The 'L' shaped main parts eliminating the need for brackets.

Leaflet consists of one sheet- both sides shown overleaf.  
The name on the model leaflet is TOYTOWN, but it is TOY TOWN on the box. See also the TOY TOWN[2] entry for sets with conventional parts by the same firm.

OTHER SYSTEMS 26/752

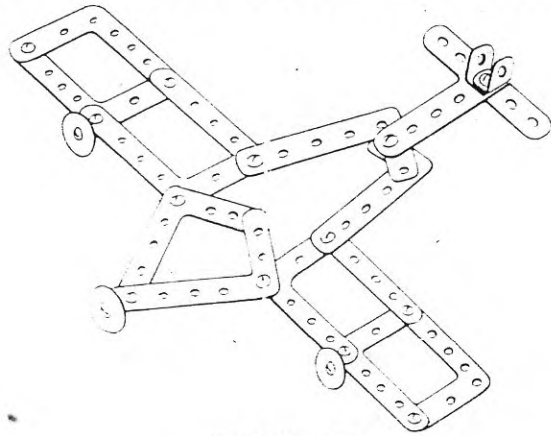
NEWSLETTER

MATERIAL SUPPLIED BY F.A.B. Collection

# Instruction Sheet for "TOYTOWN" ENGINEERING SET

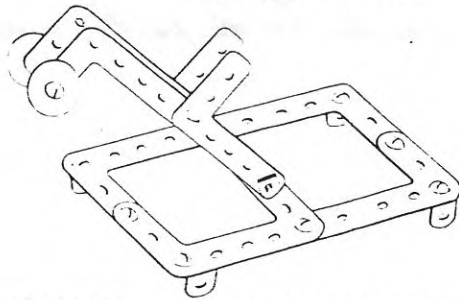
100% Australian manufacture

Set Contains:—  
16 "L" shaped Strips  
16 Screws  
16 Nuts  
8 Right Angle Brackets  
4 Wheels



**AEROPLANE**

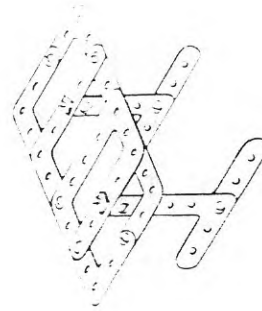
14 "L" Shaped Strips  
4 R.A. Brackets  
3 Wheels  
16 Screws and Nuts



**CRANE**

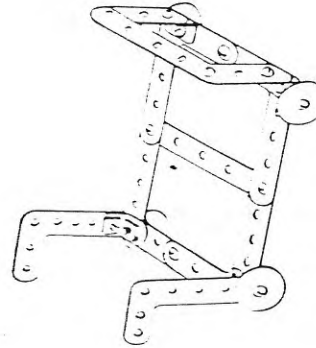
10 "L" Shaped Strips  
8 R.A. Brackets  
2 Wheels  
16 Screws and Nuts

Illustrations show some of the many Models which can be constructed with this Set. Be original and design your own Models. Use a screw-driver, or the end of one of the strips is a good substitute.



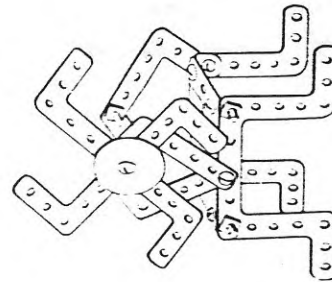
**TABLE**

11 "L" Shaped Strips  
2 R.A. Brackets  
— Wheels  
12 Screws and Bolts



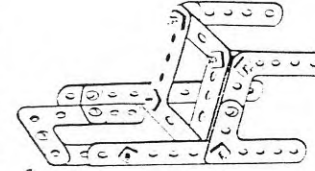
**LUGGAGE TROLLEY**

9 "L" Shaped Strips  
8 R.A. Brackets  
4 Wheels  
16 Screws and Nuts



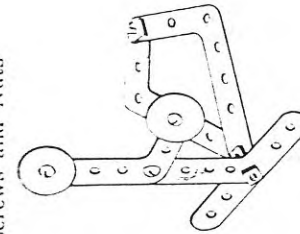
**WINDMILL**

16 "L" Shaped Strips  
2 R.A. Brackets  
1 Wheel  
9 Screws and Nuts



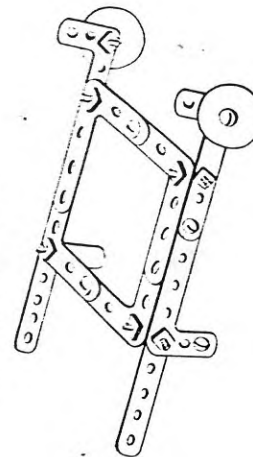
**CHAIR**

10 "L" Shaped Strips  
6 R.A. Brackets  
— Wheels  
15 Screws and Nuts



**SIGNAL**

6 "L" Shaped Strips  
1 R.A. Bracket  
2 Wheels  
6 Screws and Nuts



**HAND TRUCK**

10 "L" Shaped Strips  
4 R.A. Brackets  
2 Wheels  
16 Screws and Nuts