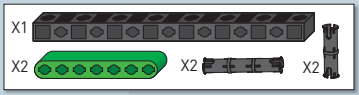
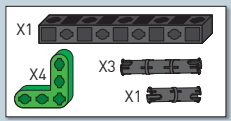
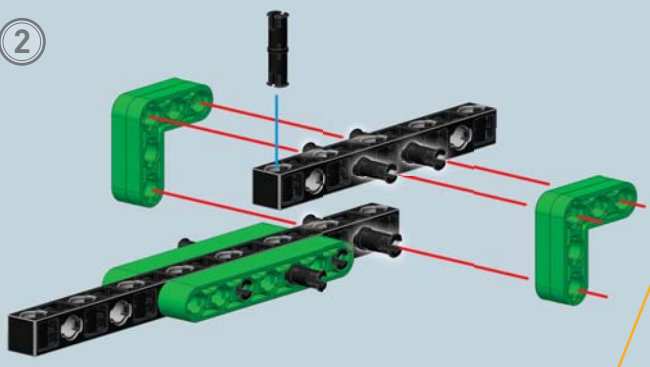


1

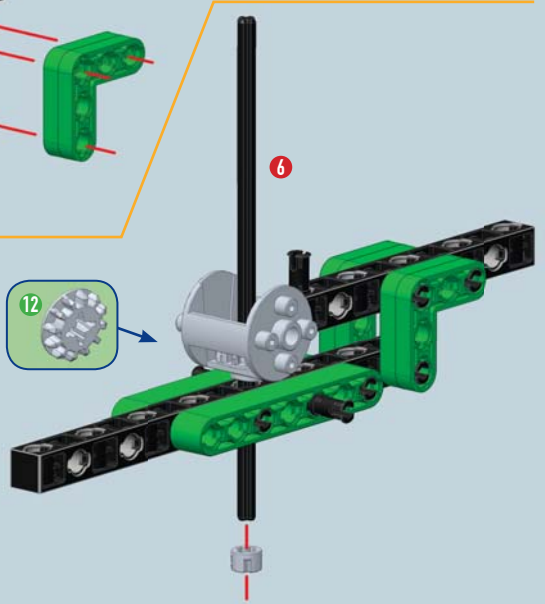
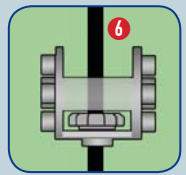
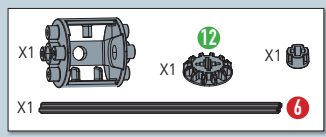
1



2



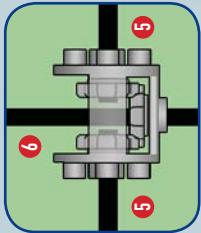
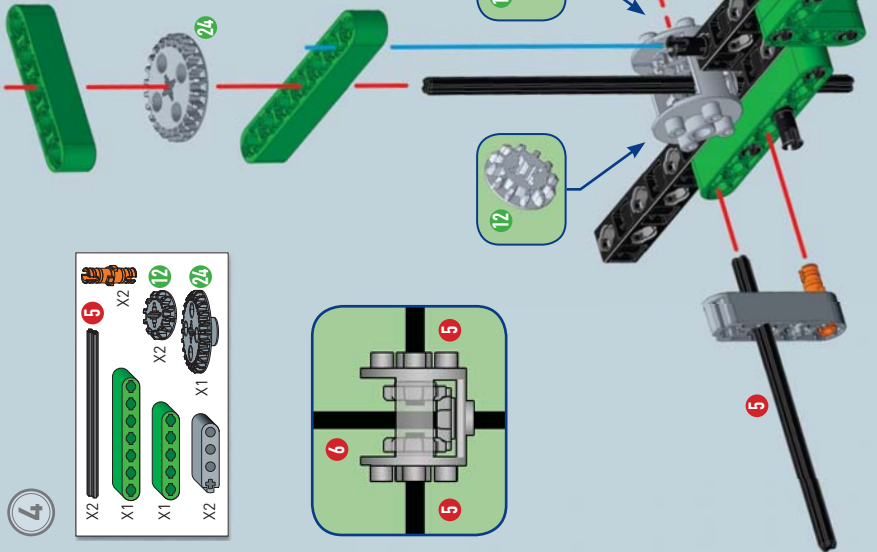
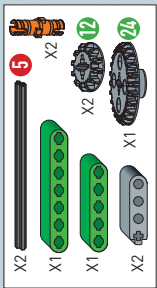
3



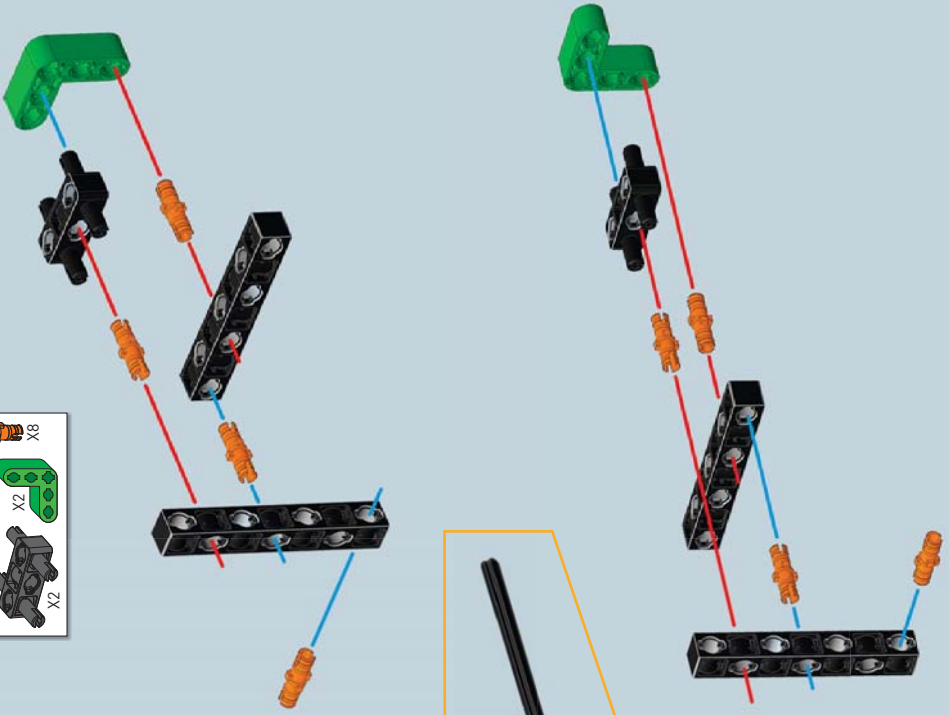
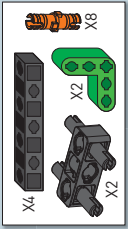
1:1



4

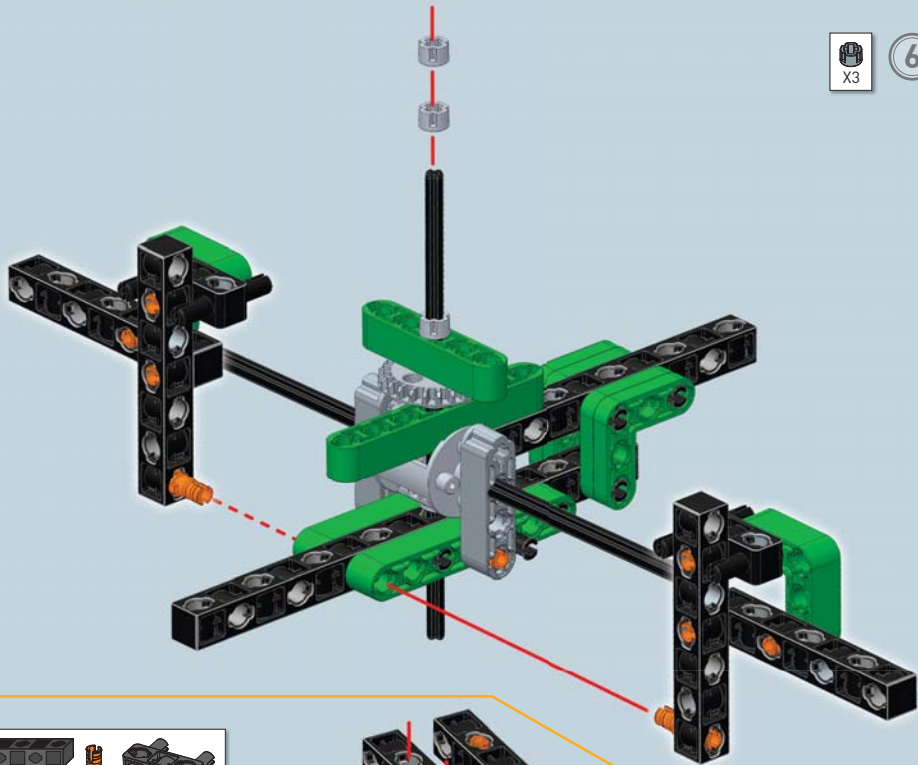


5

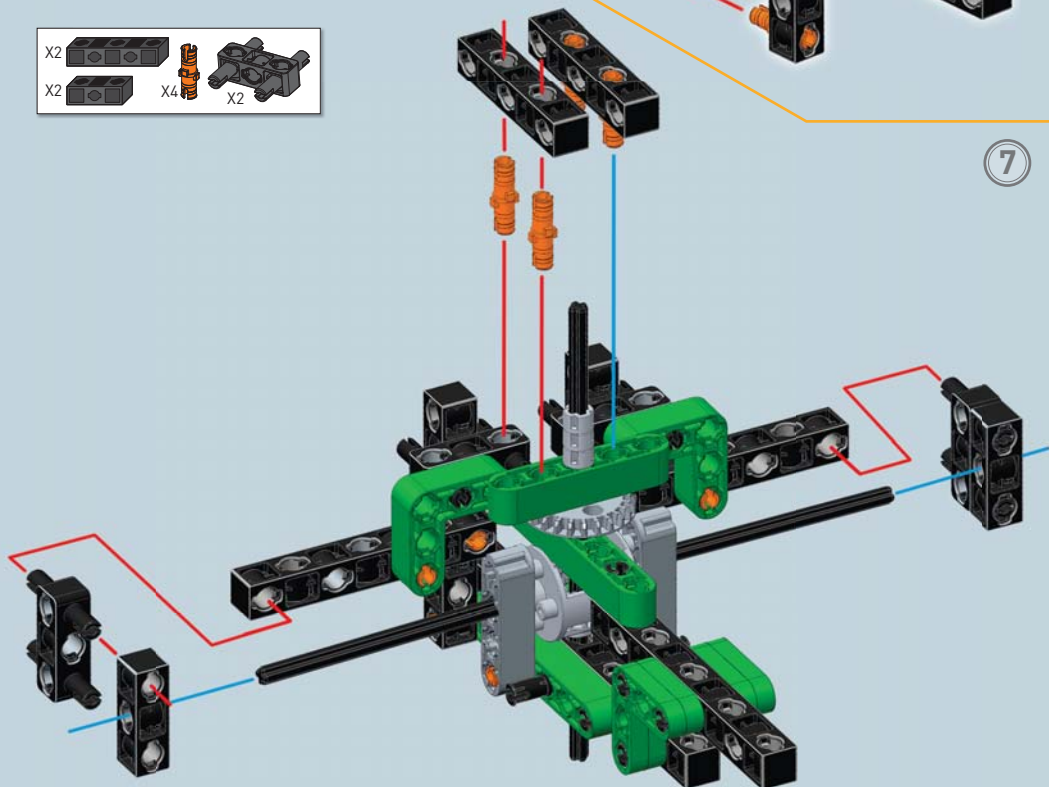




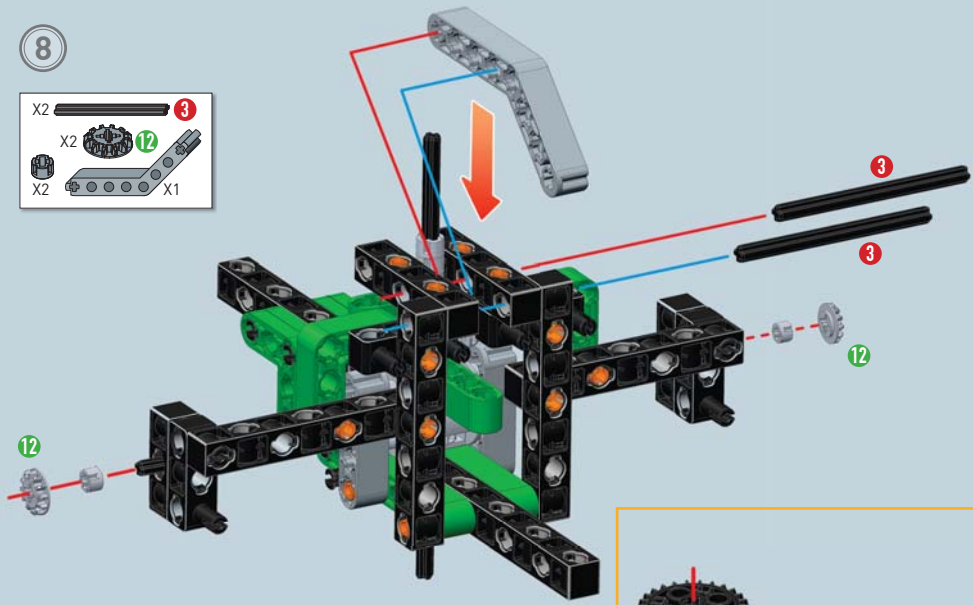
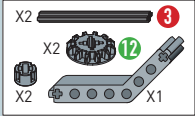
6



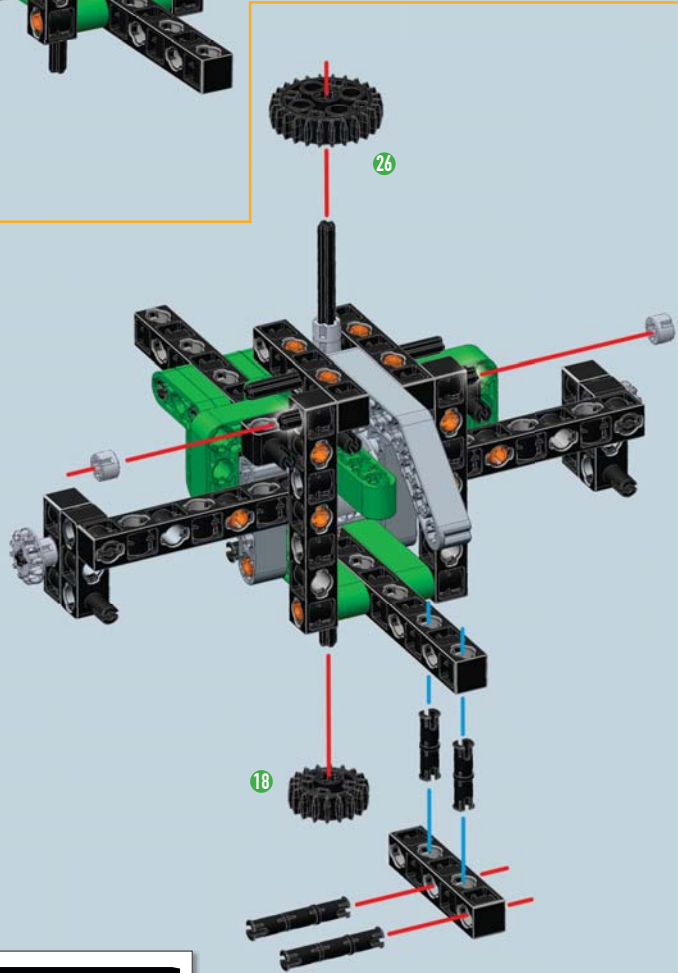
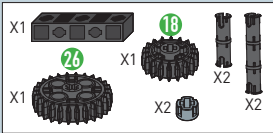
7



8

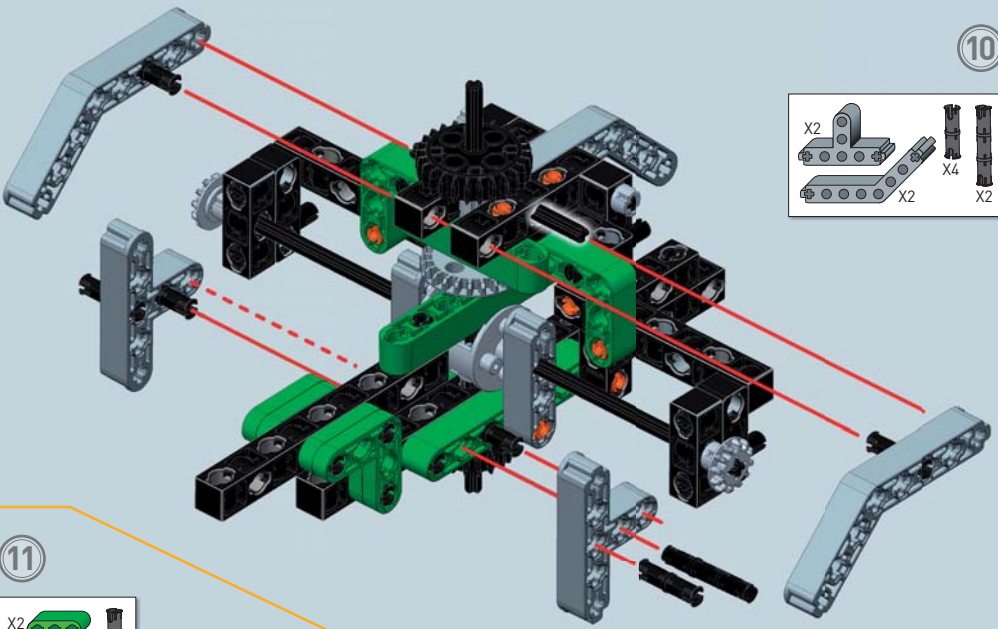
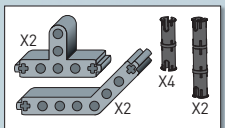


9

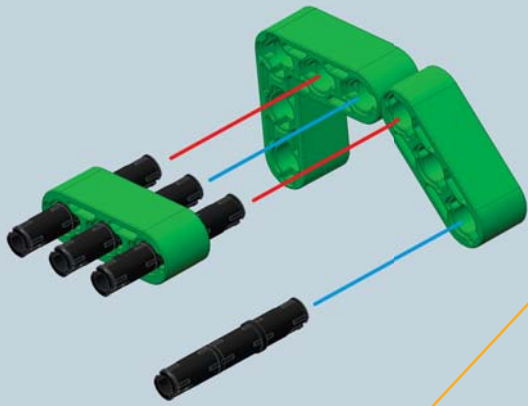
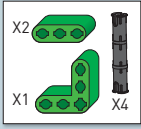


1:1 **3**

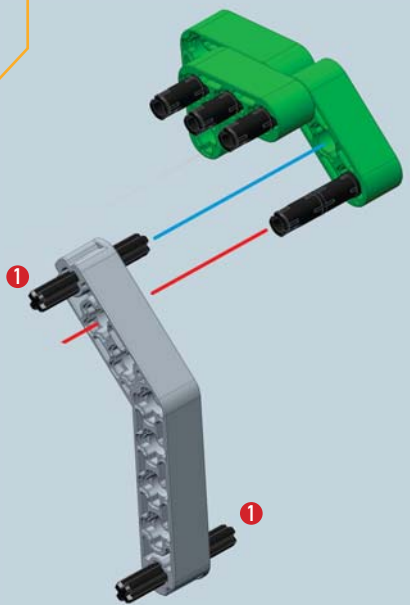
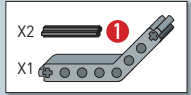
10



11



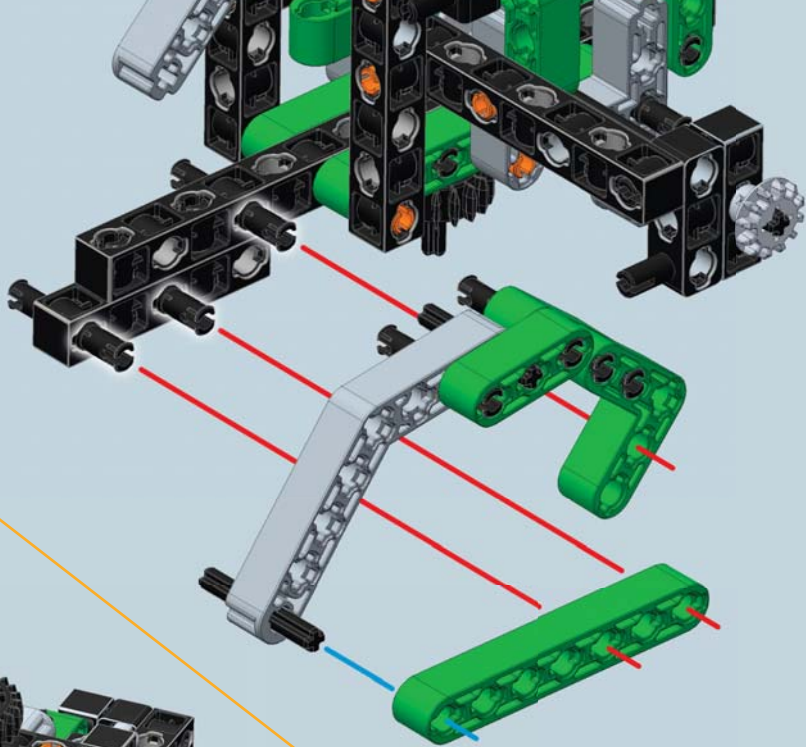
12





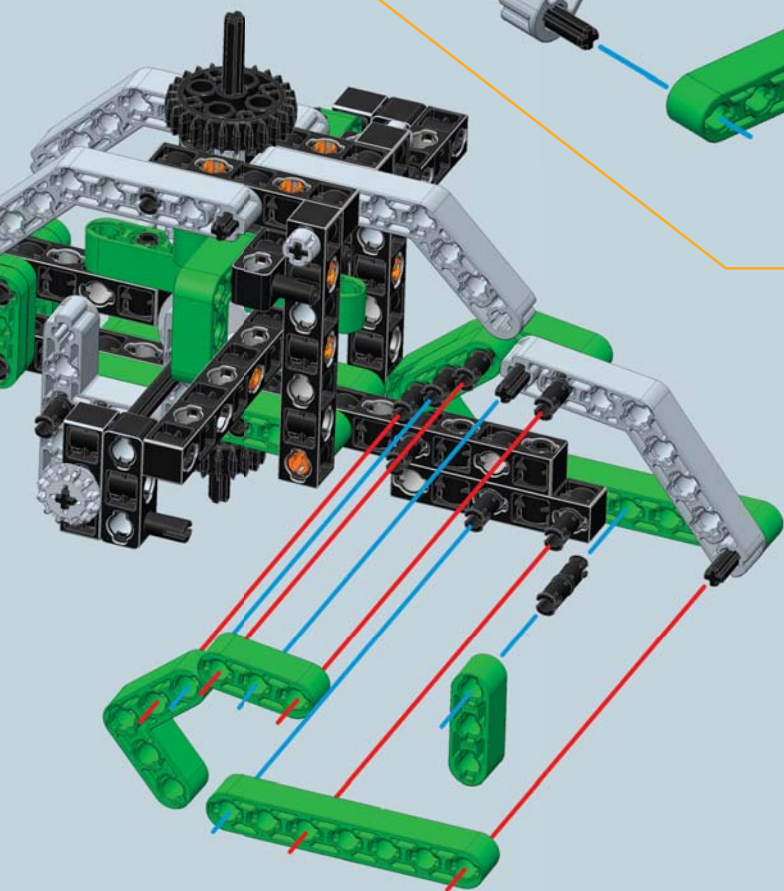
13

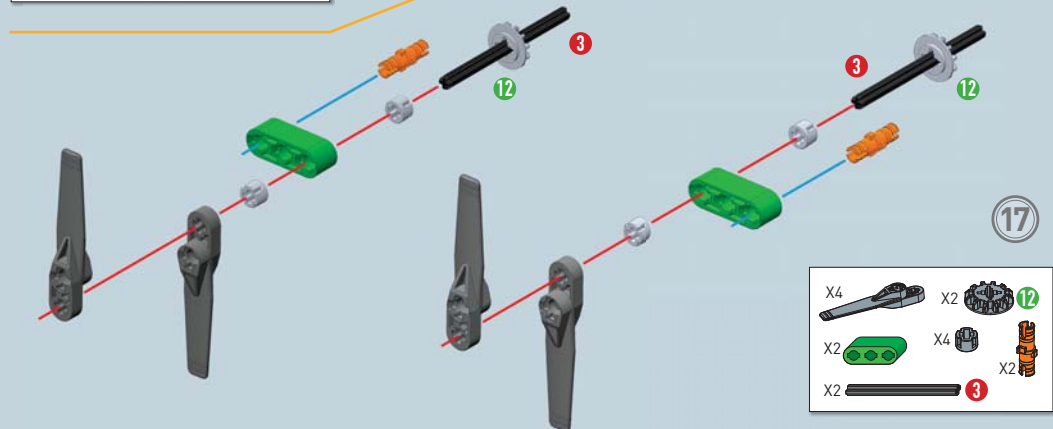
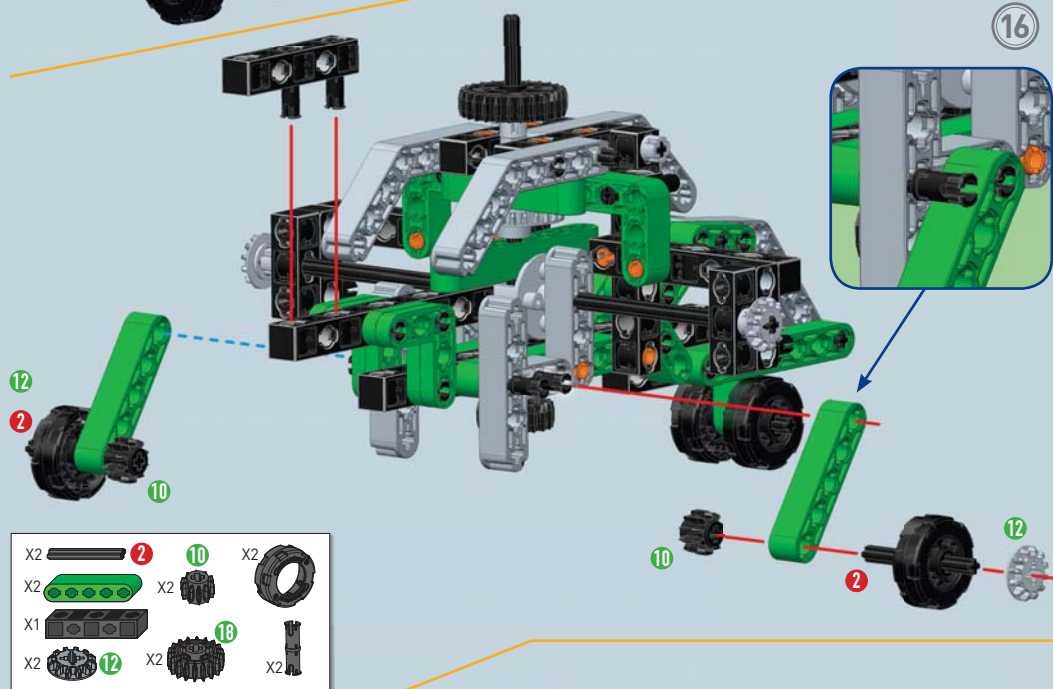
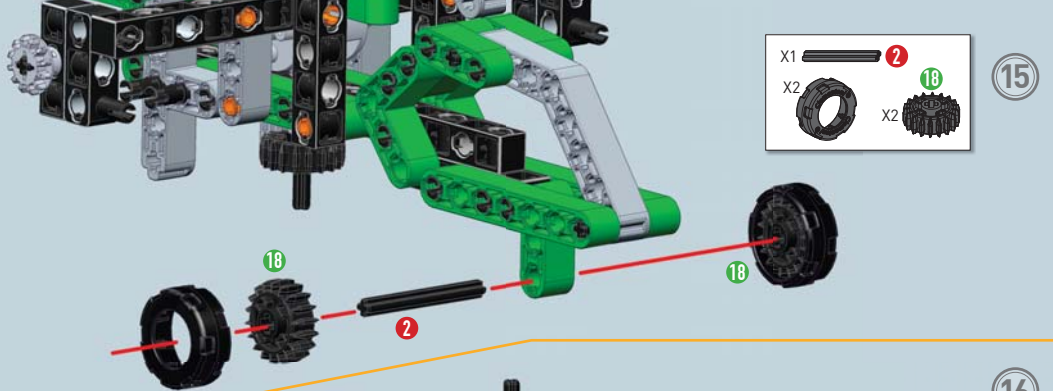
- X1
- X1



14

- X1
- X2
- X1
- X1

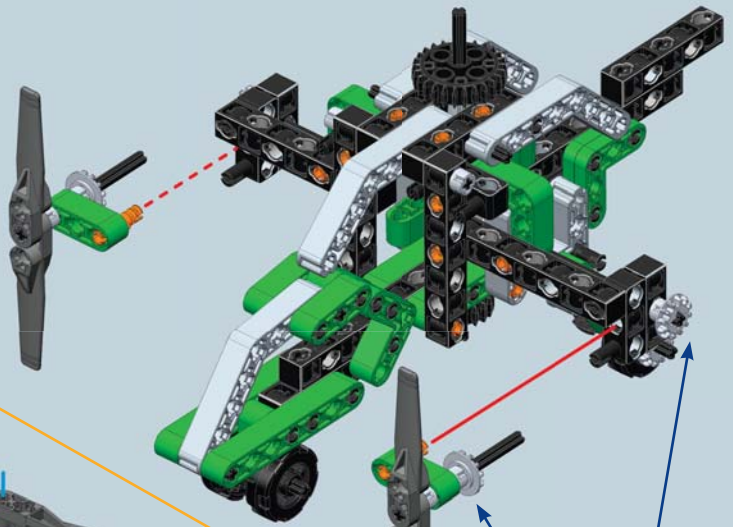




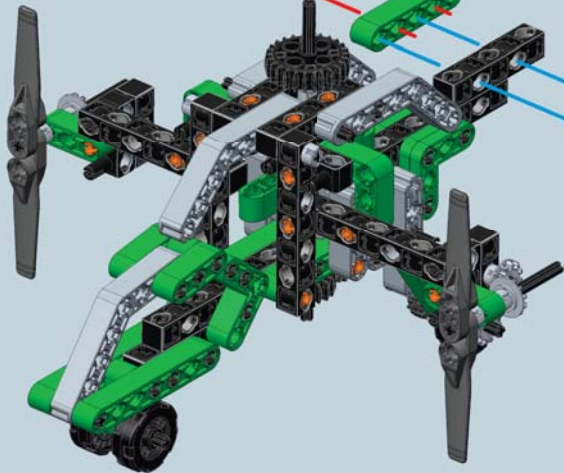
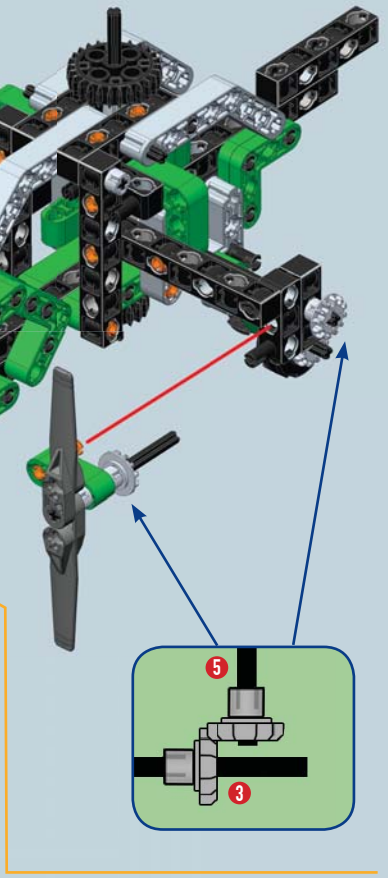
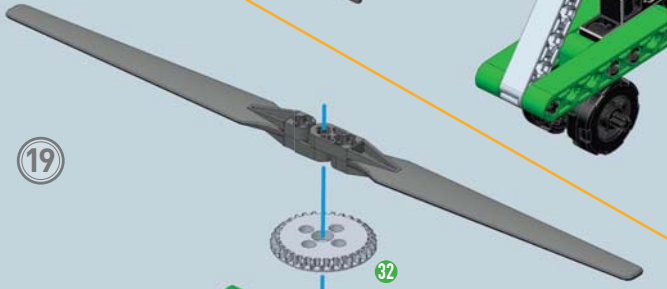
1:1

1:1

18



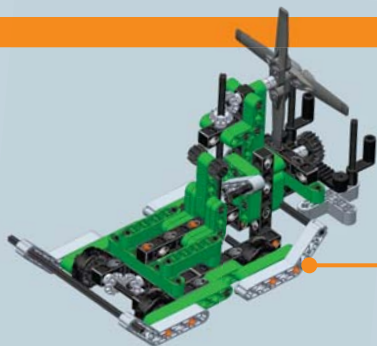
19



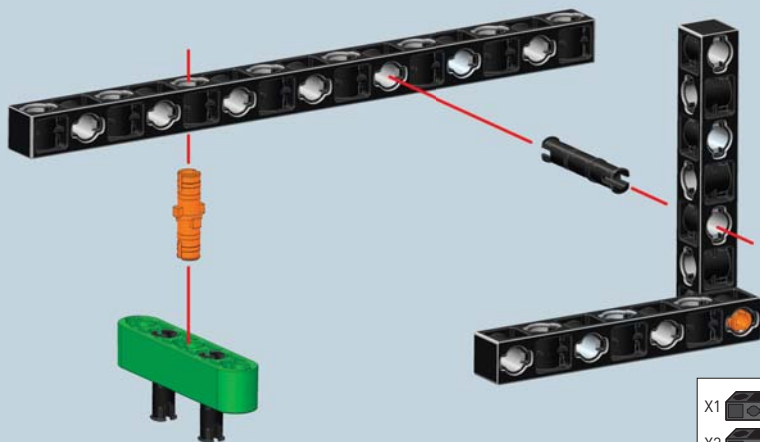
- X2
- X2
- X2
- X2
- X1
- X4





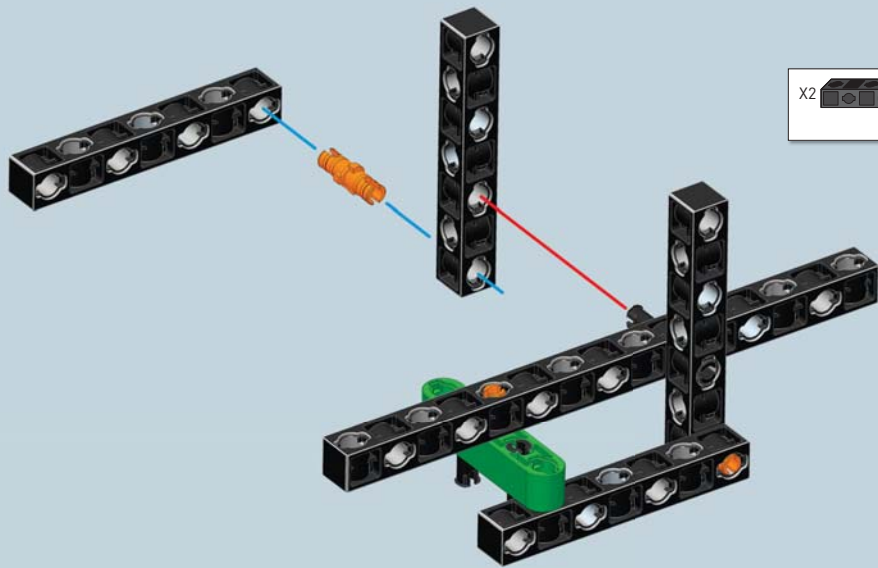


# 2



1

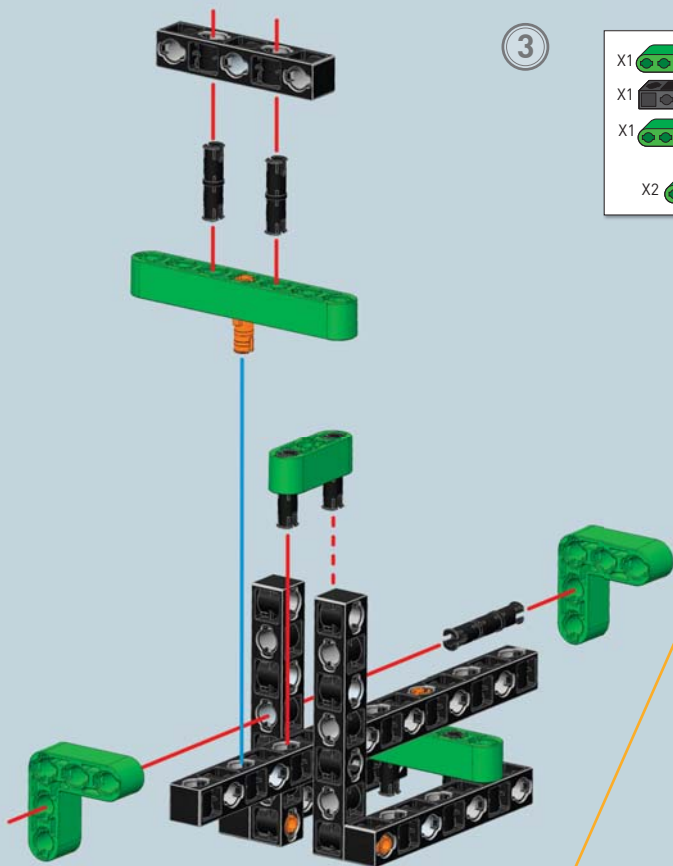
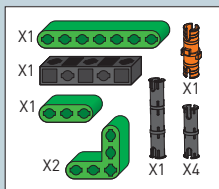
- |    |  |    |  |
|----|--|----|--|
| X1 |  | X1 |  |
| X2 |  | X2 |  |
| X2 |  | X1 |  |



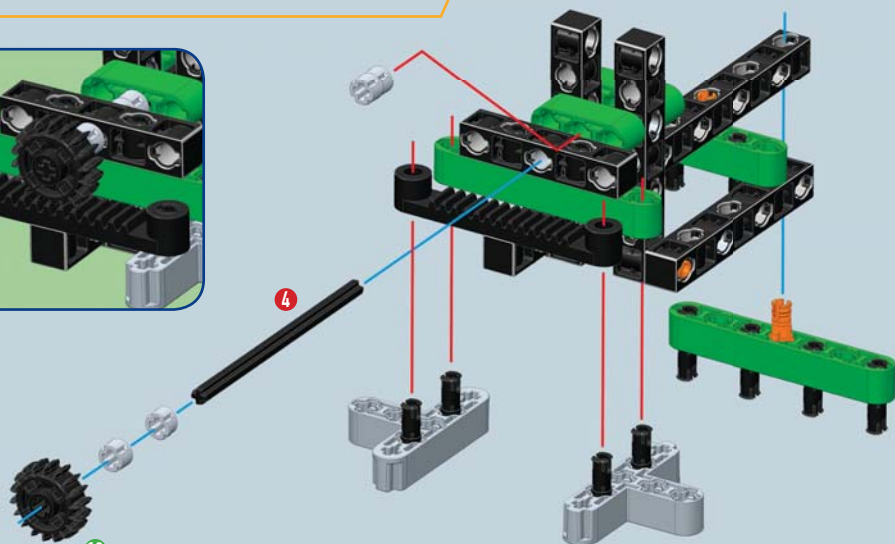
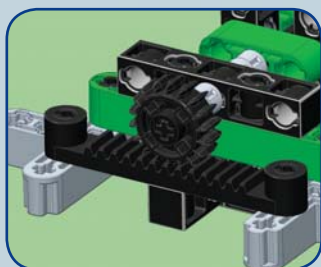
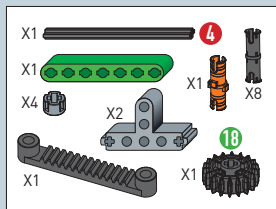
2

- |    |  |    |  |
|----|--|----|--|
| X2 |  | X1 |  |
|----|--|----|--|

3



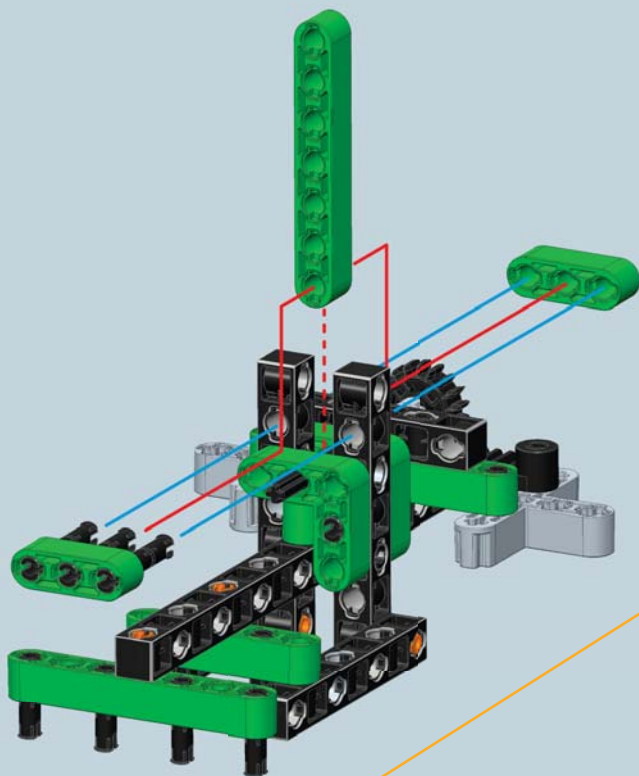
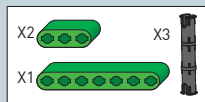
4



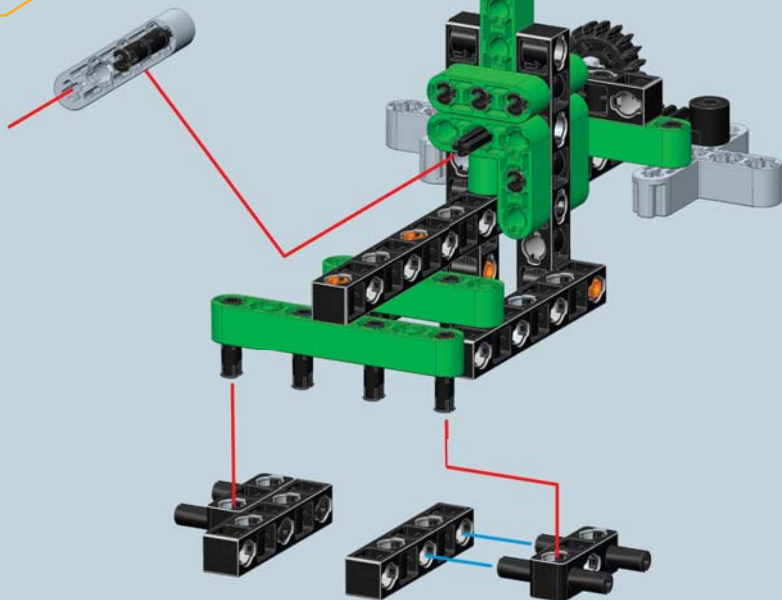
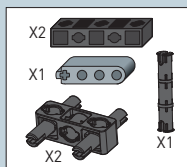
1:1



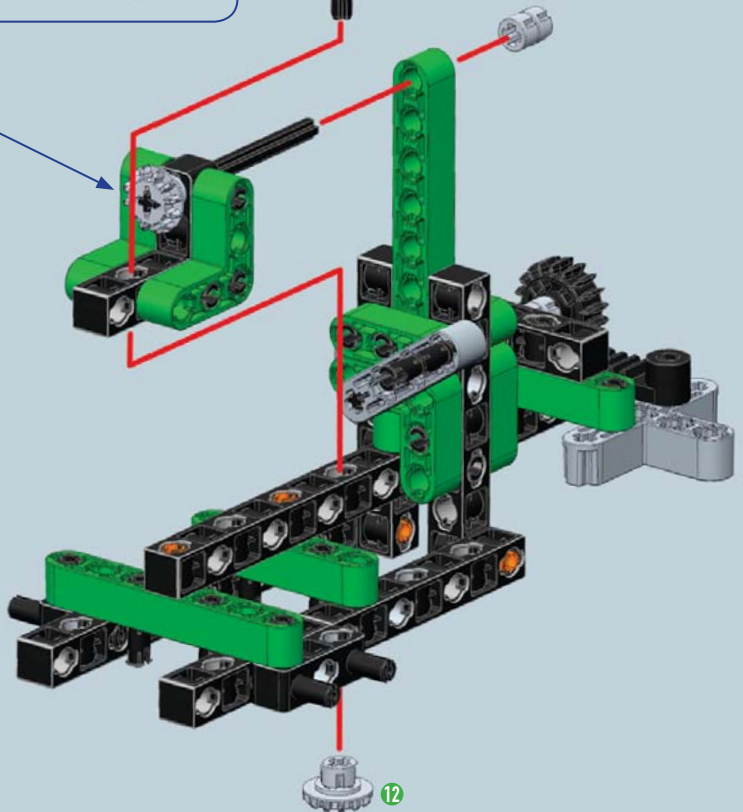
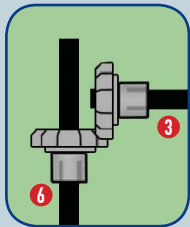
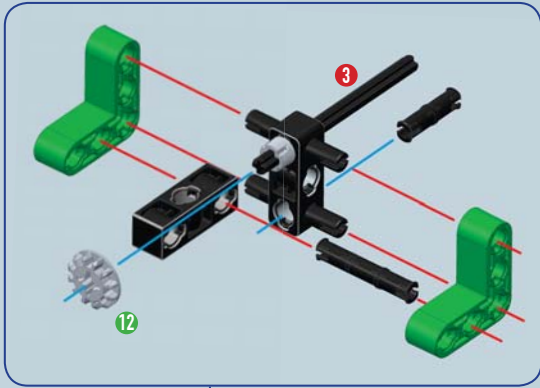
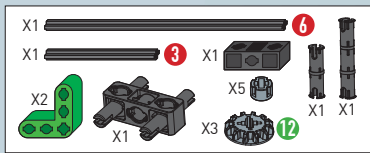
5



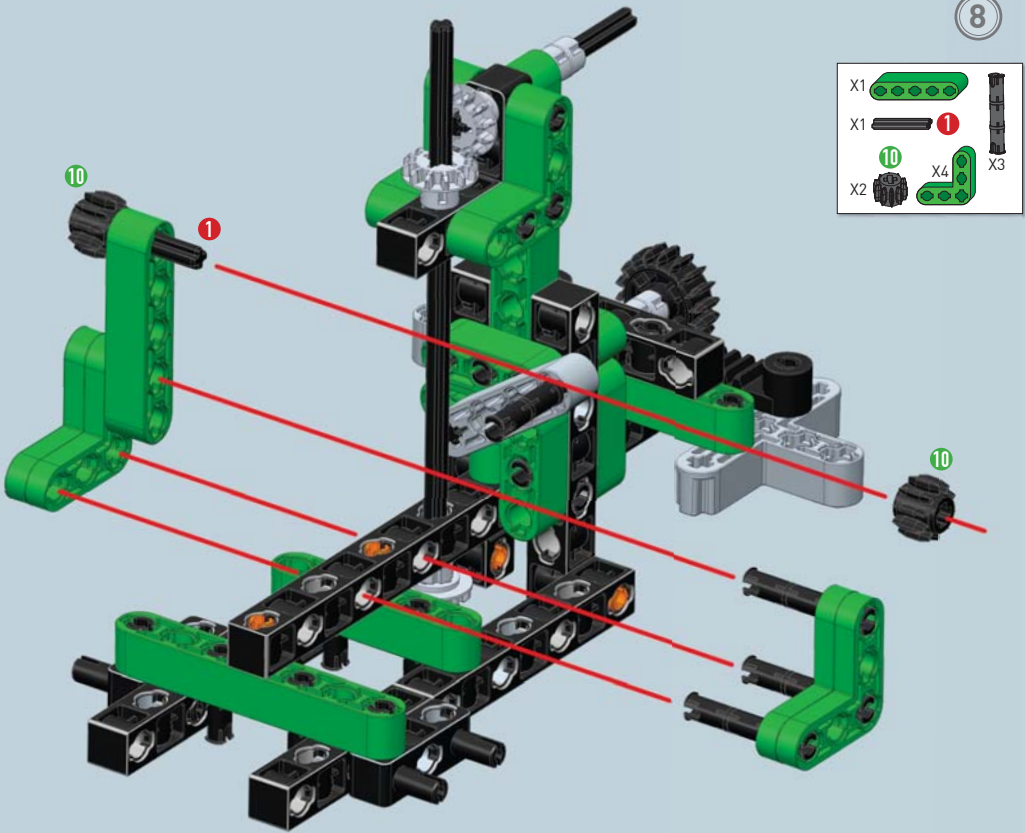
6



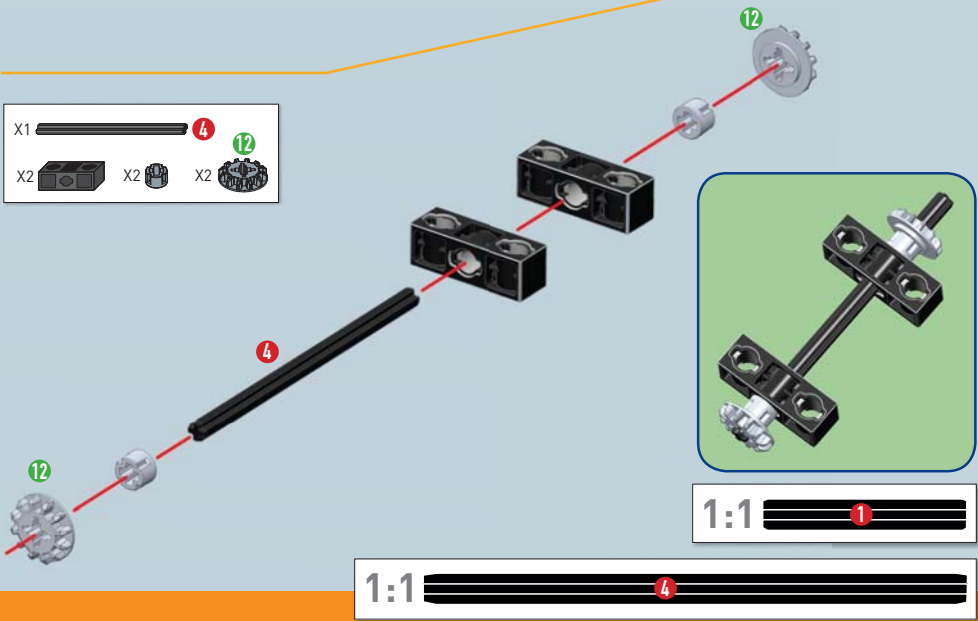
7



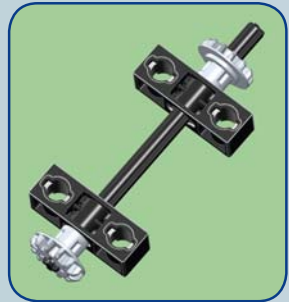




- X1
- X1
- 10
- X2
- X4
- X3



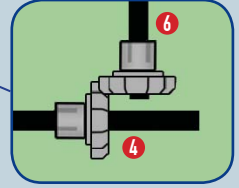
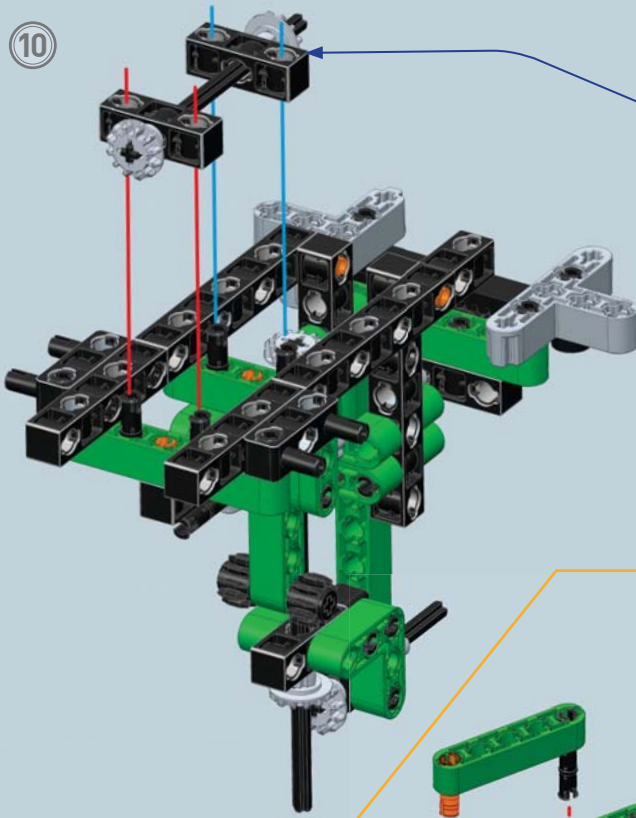
- X1
- X2
- 
- X2
- X2
- 12



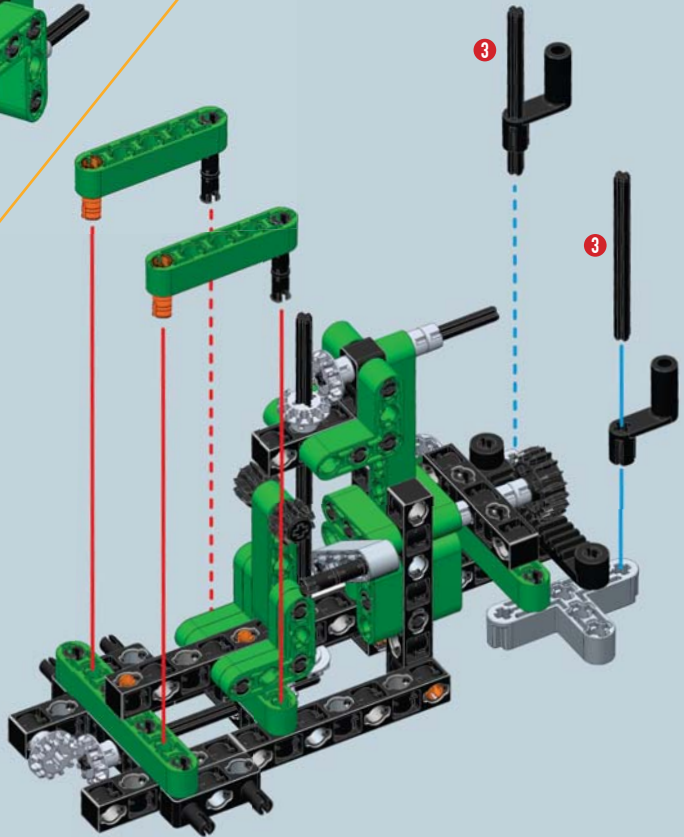
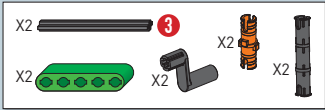
- 1:1

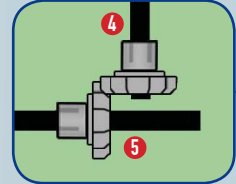
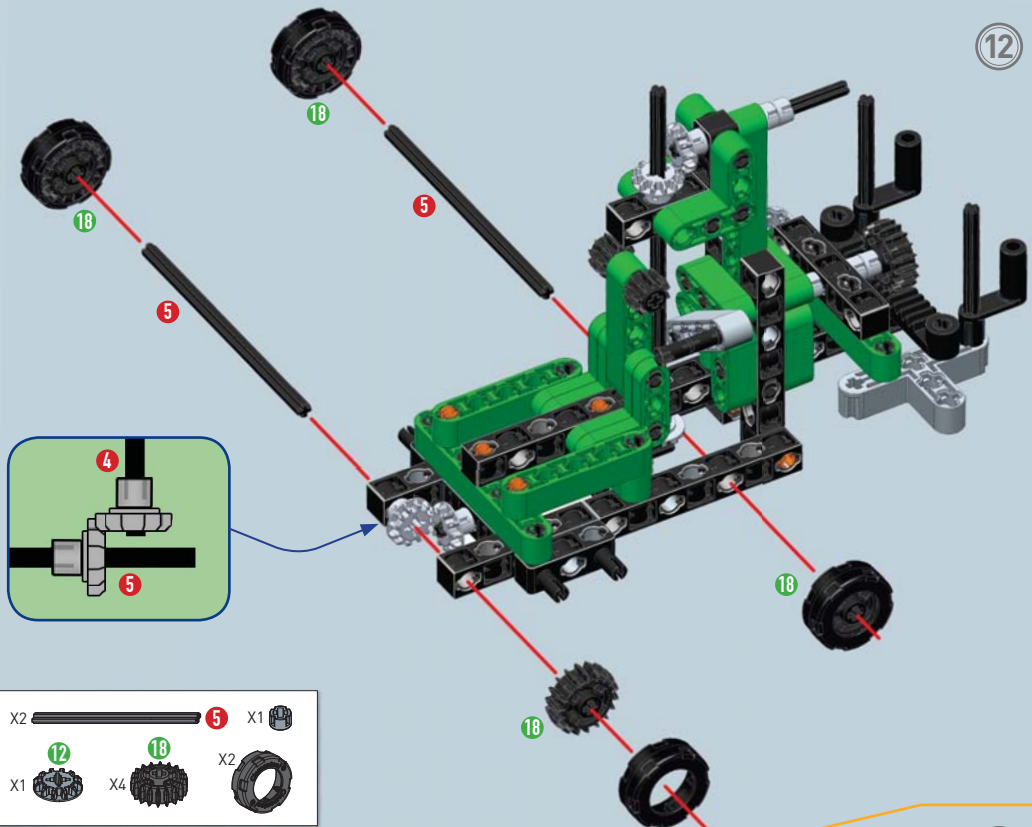
- 1:1

10

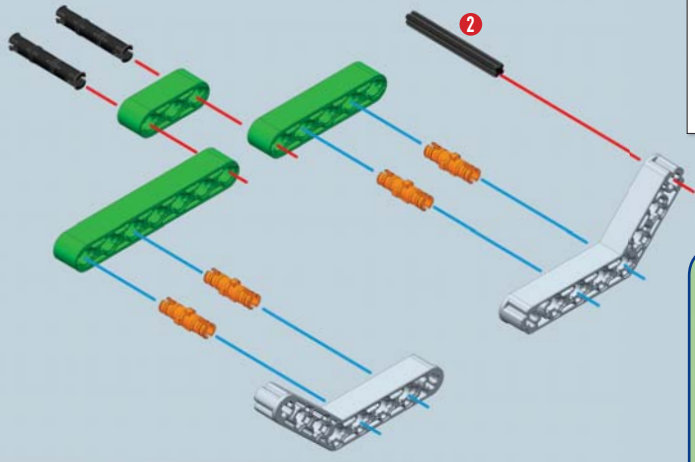


11

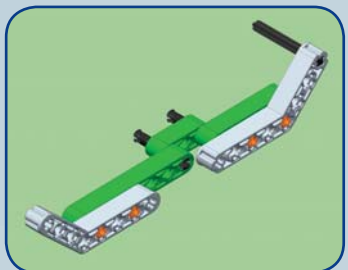




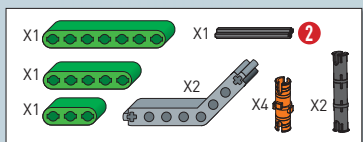
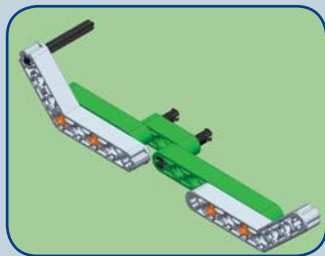
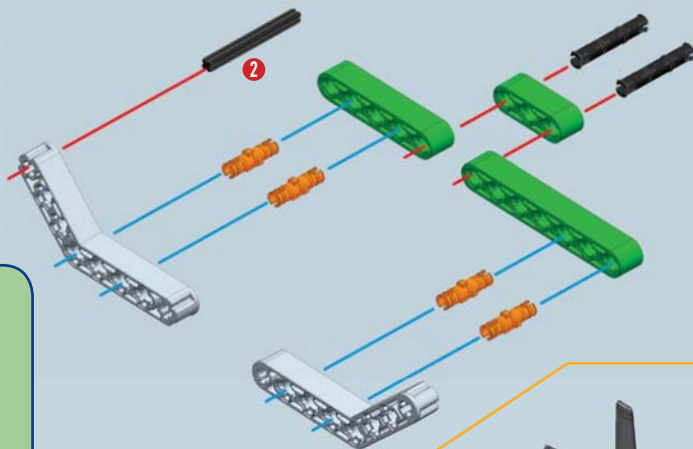
- X2 5 X1
- X1 12 X4 X2



- X1
- X1
- X1
- X1
- X2
- X4
- X2



14



15

