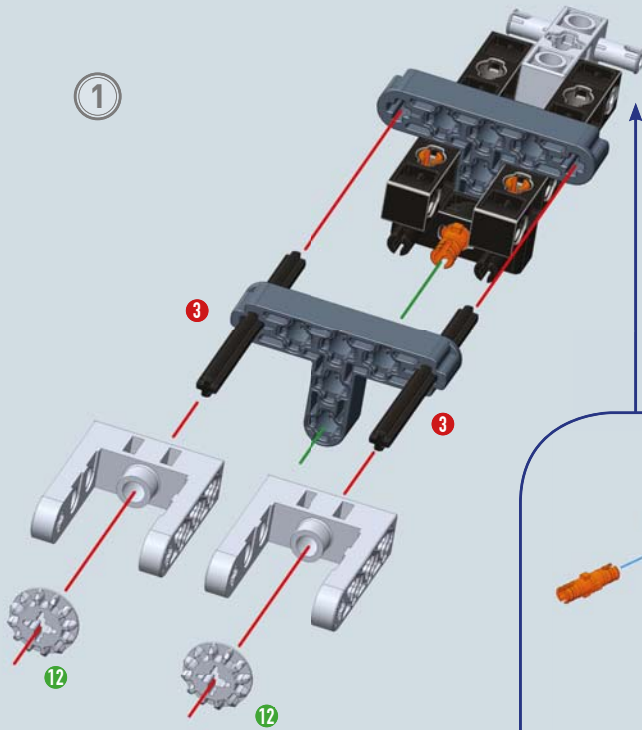
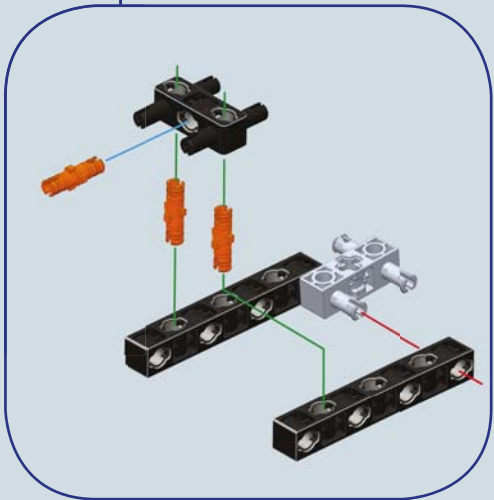


1

1

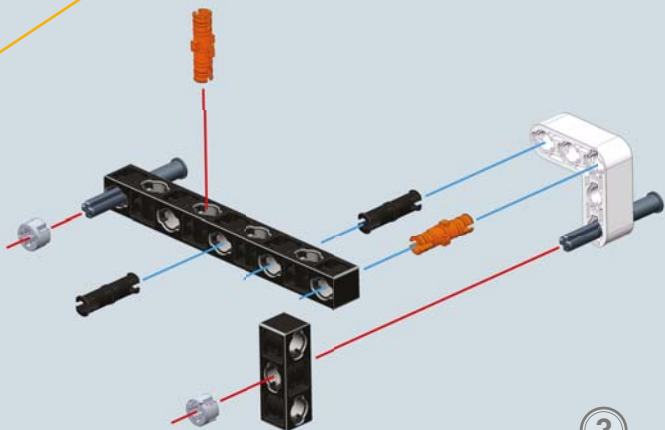
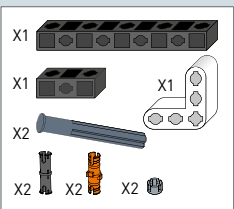
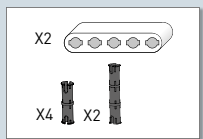
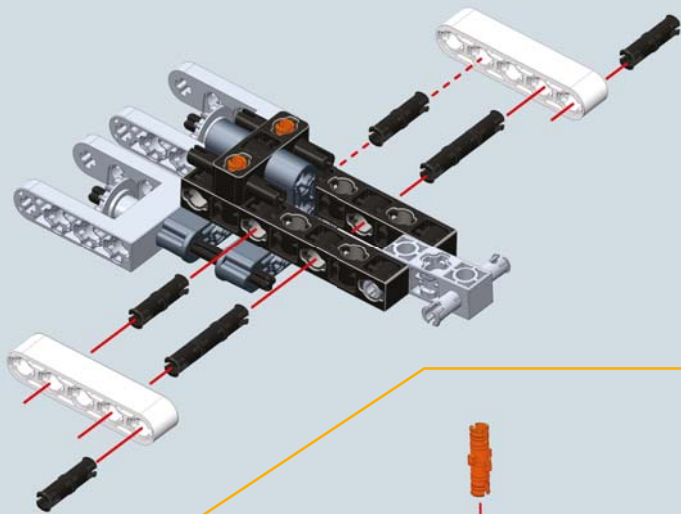


- X2
- X1
- X1
- X2
- X2
- X2
- X2
- X3
- X2
- X2

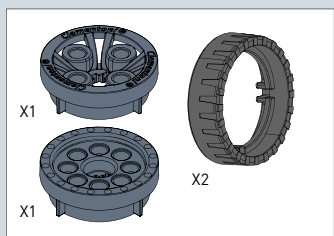
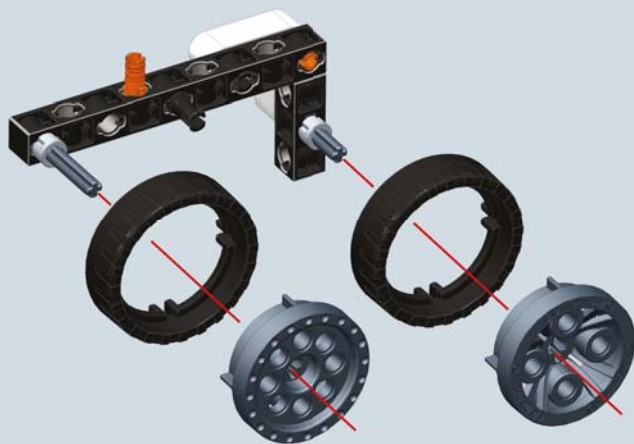


Read and keep these instructions for future reference.

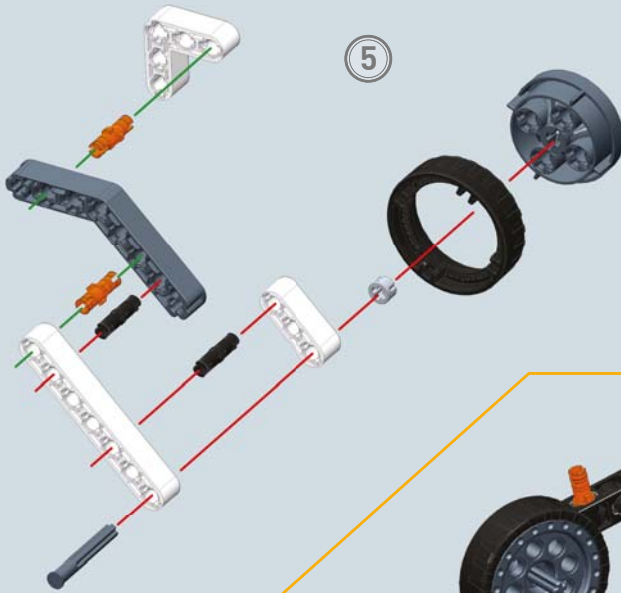
2



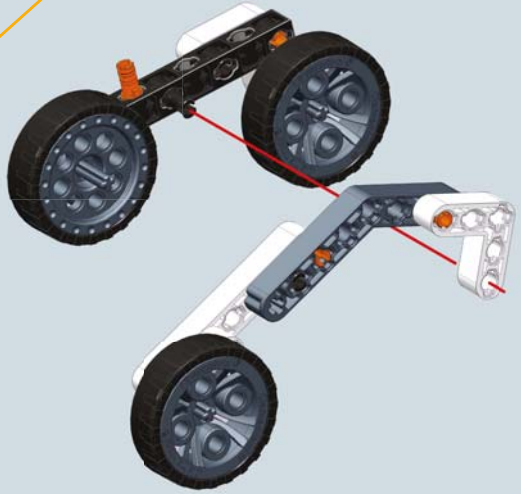
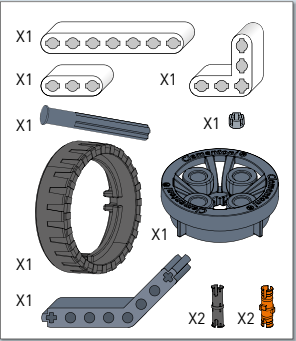
3



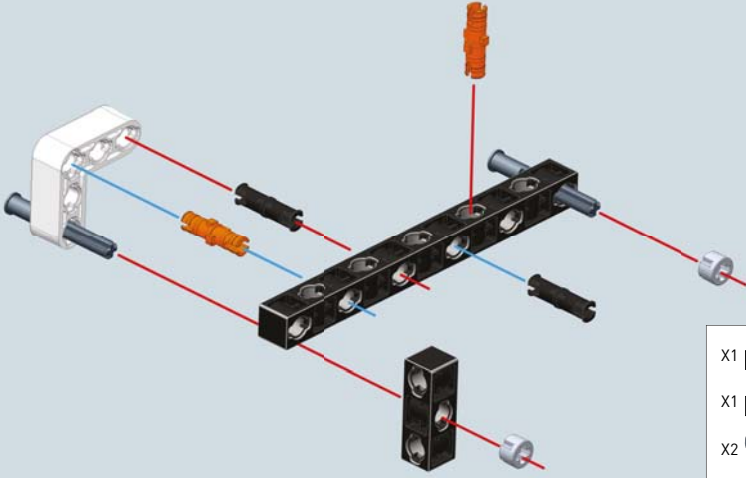
4



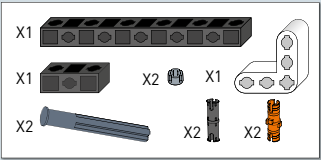
5

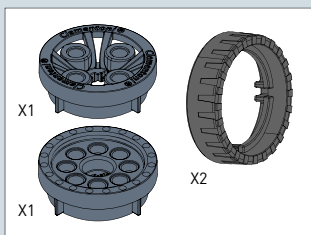


6

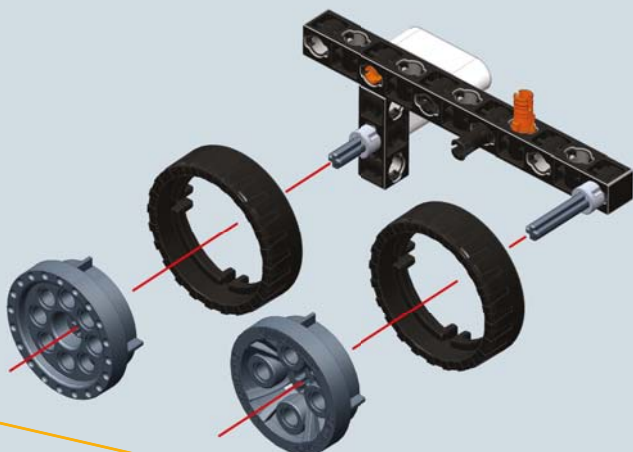


7

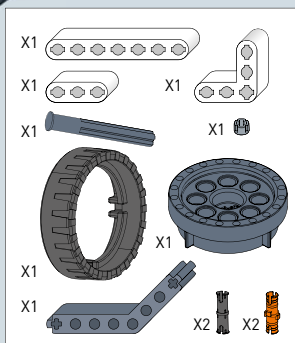
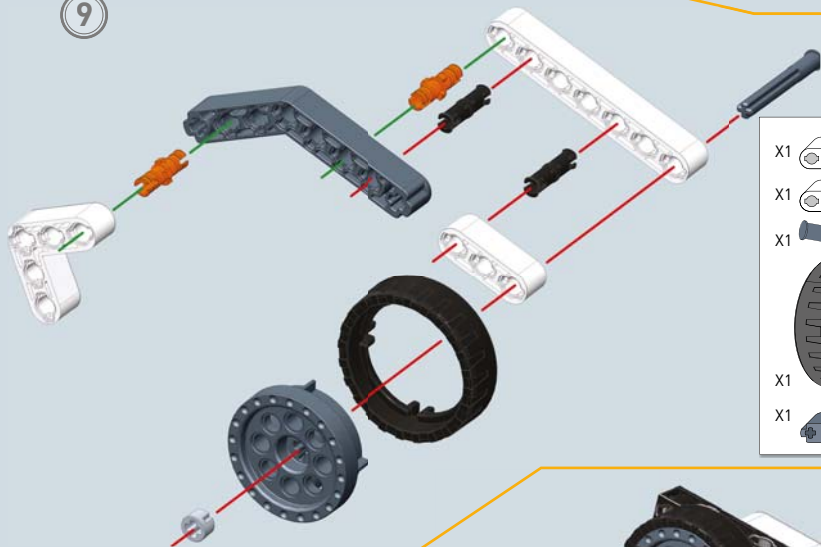




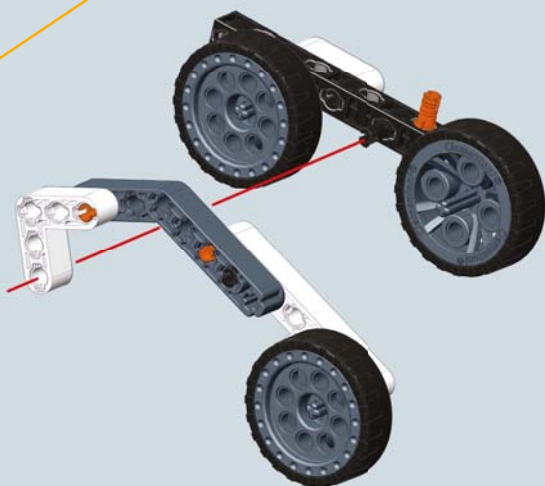
8



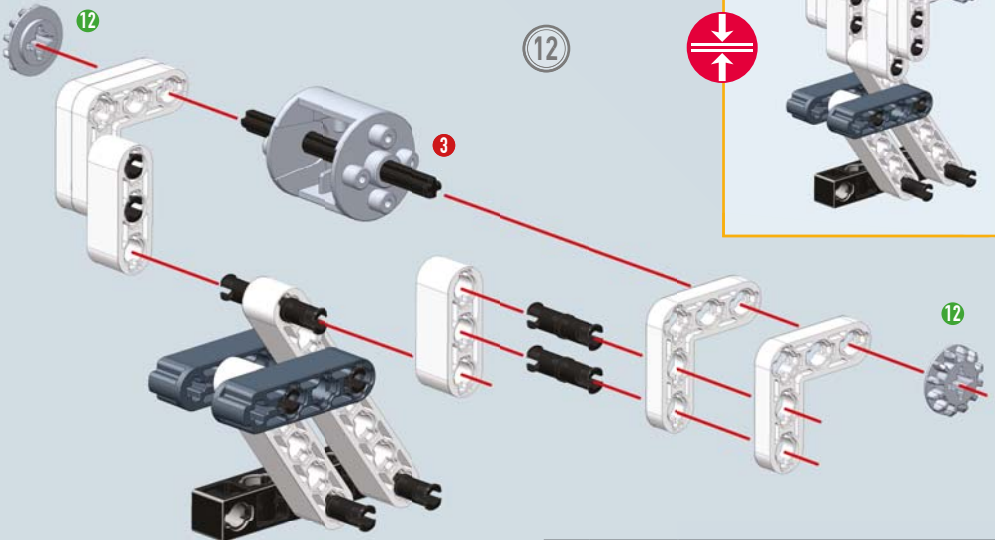
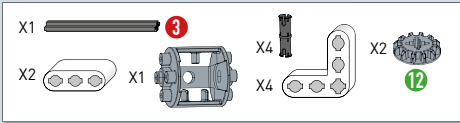
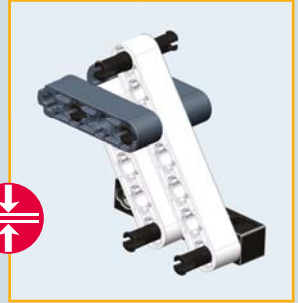
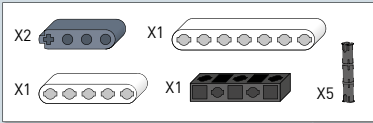
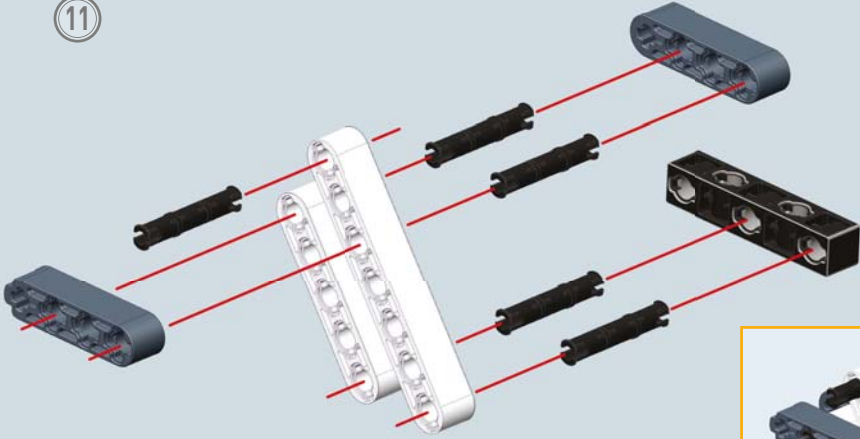
9



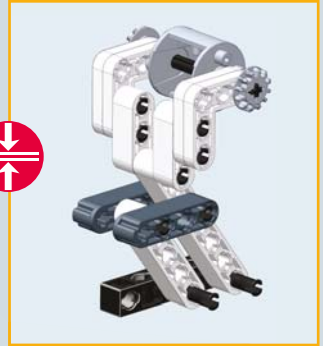
10



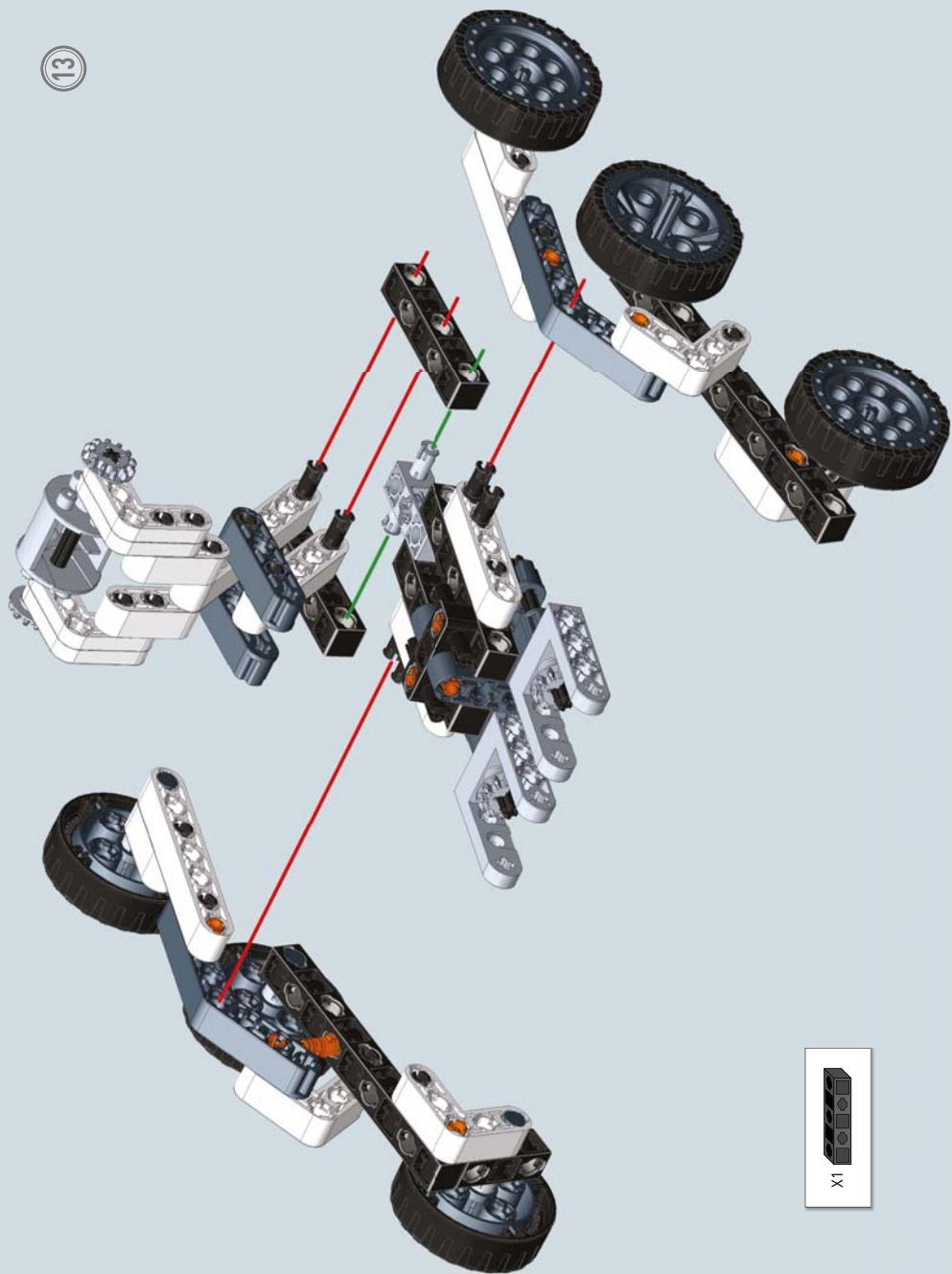
11



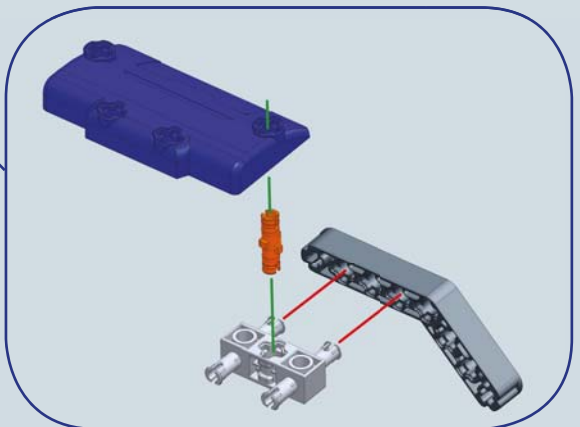
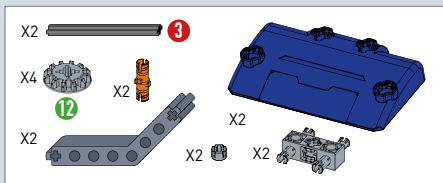
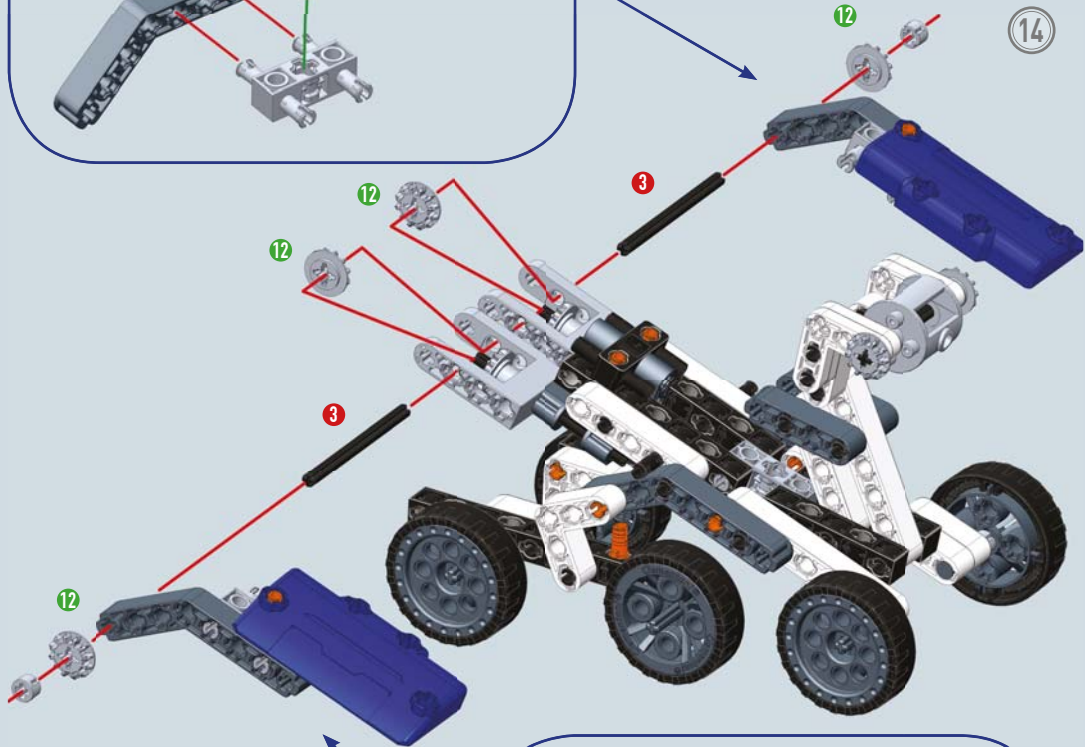
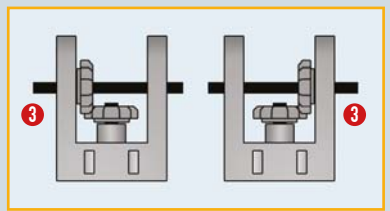
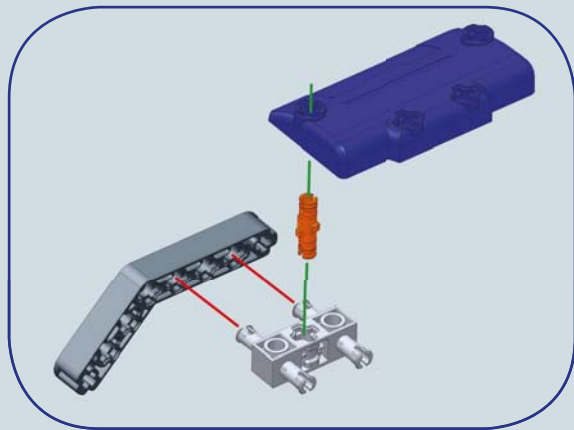
12

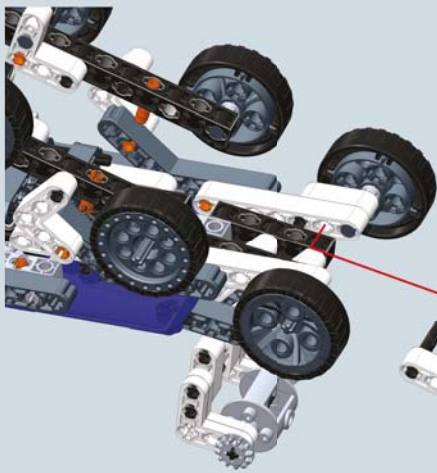


13

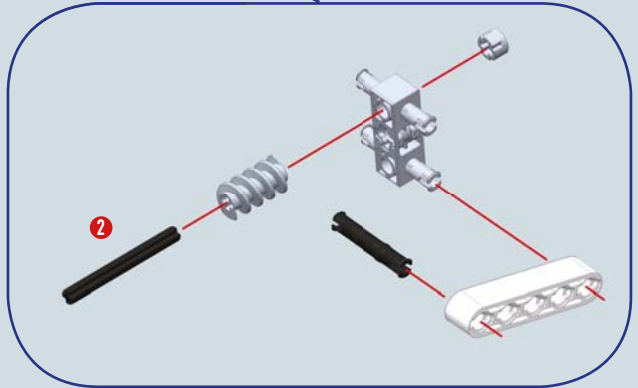


X1





X1		2	X1	
X1			X1	
X1			X1	

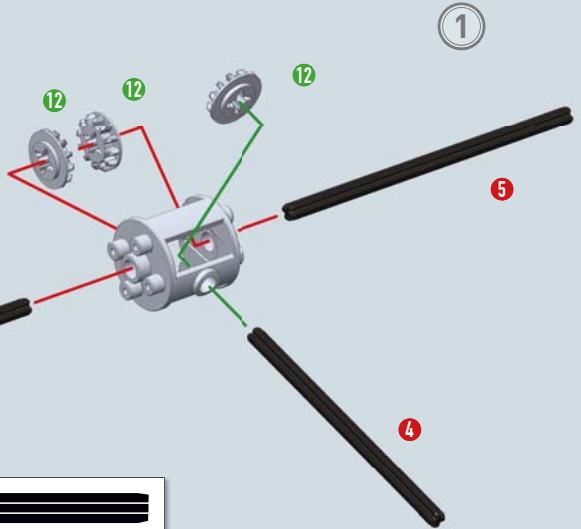
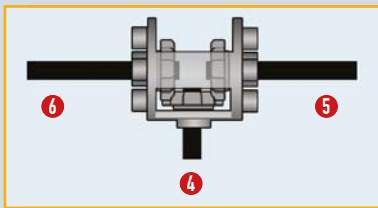
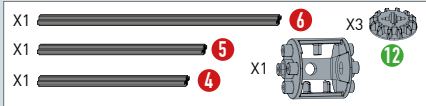


15

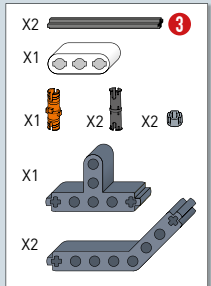
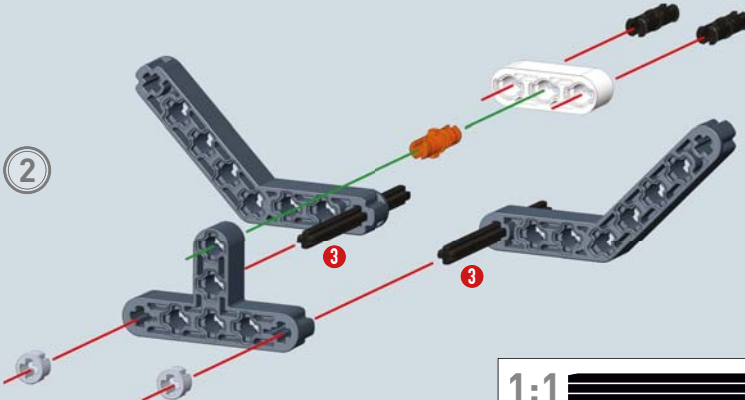
1:1



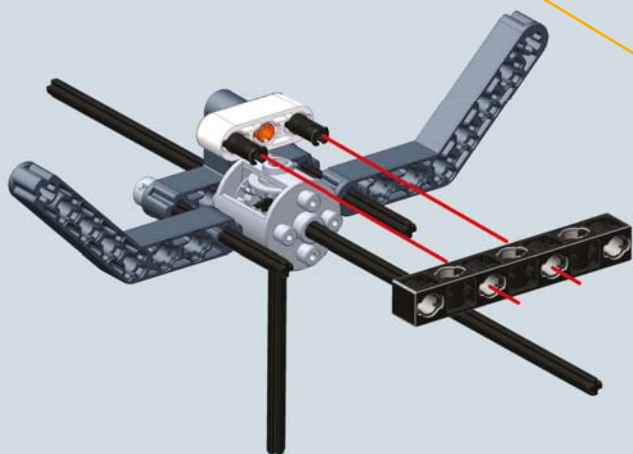
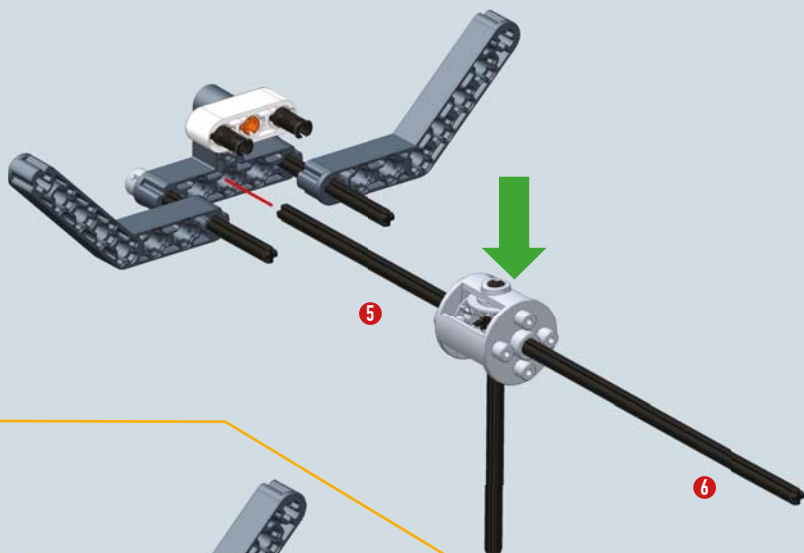
2



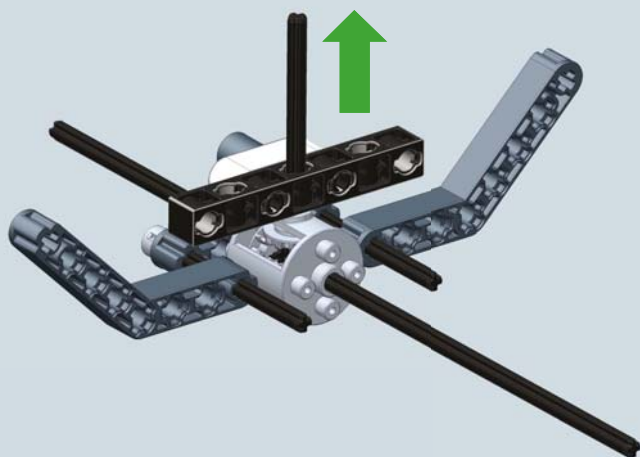
2



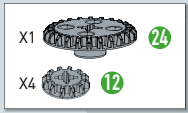
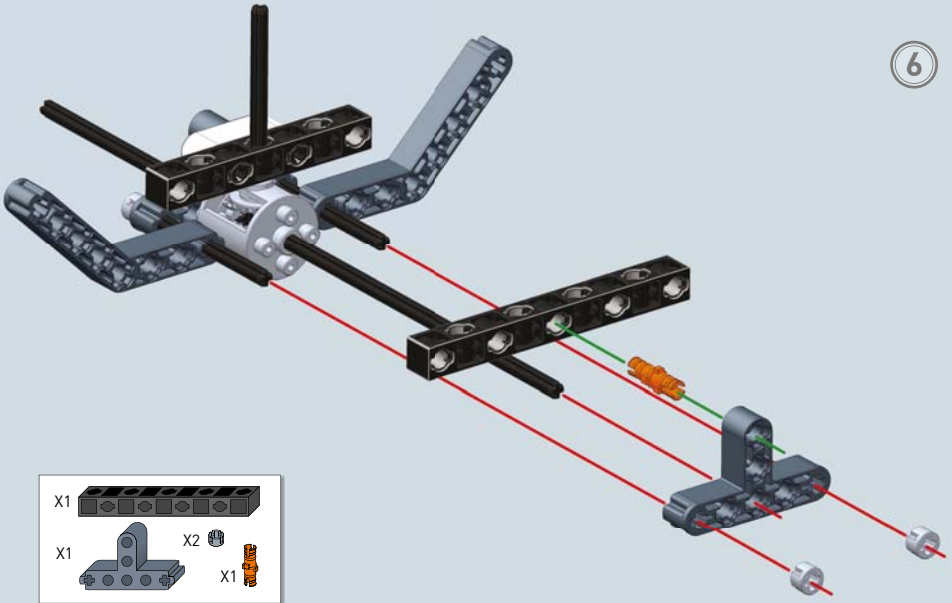
3



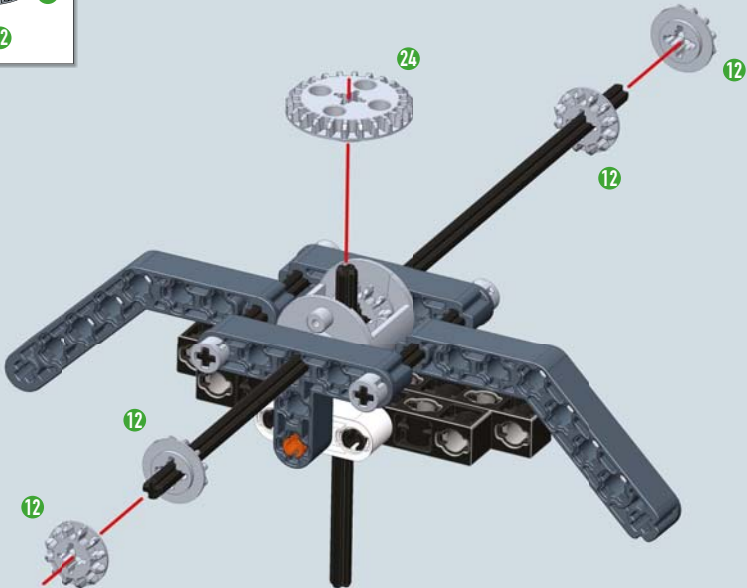
5

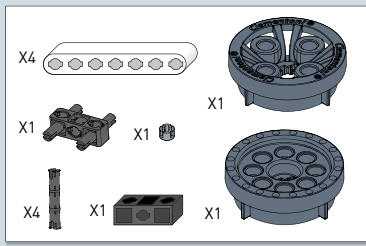


6

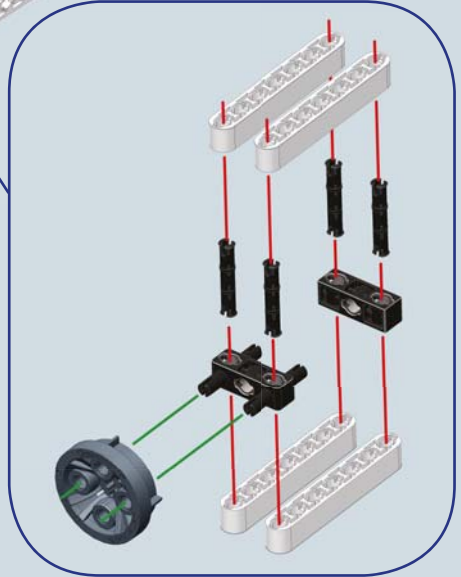
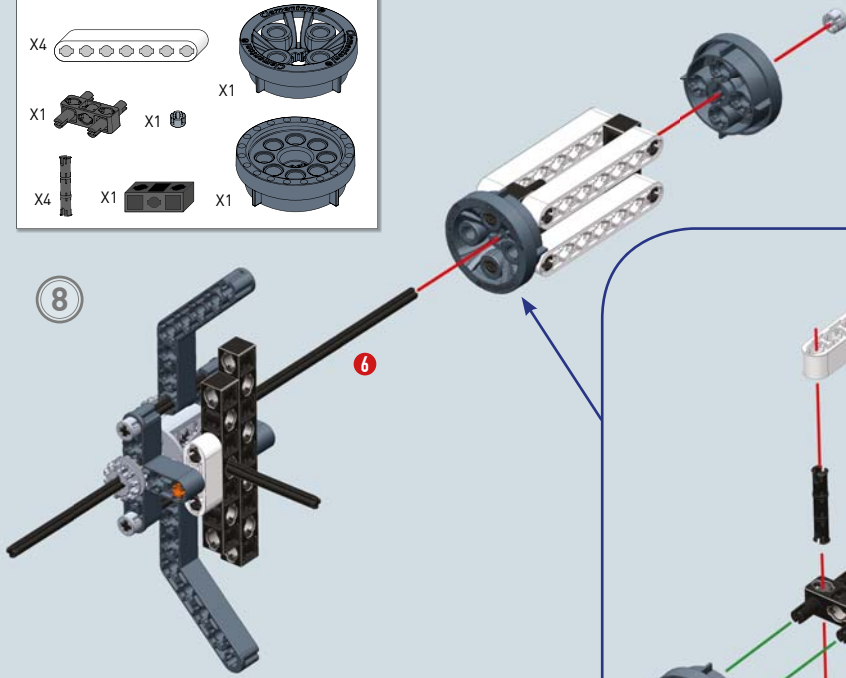


7

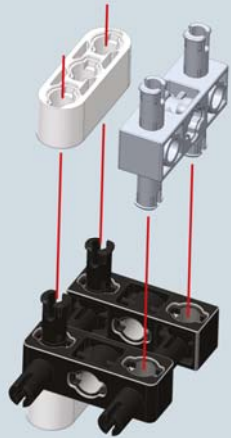
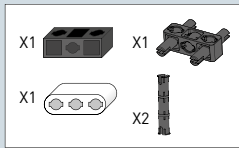




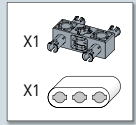
8



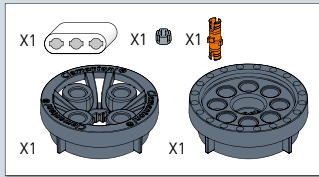
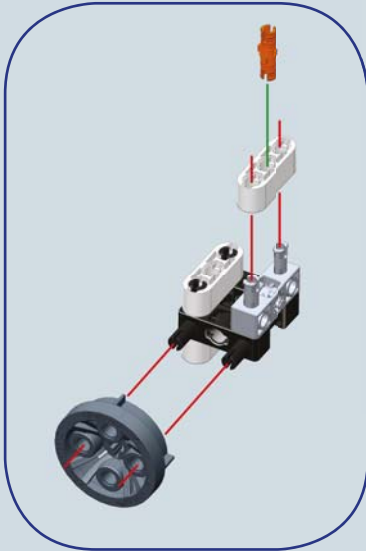
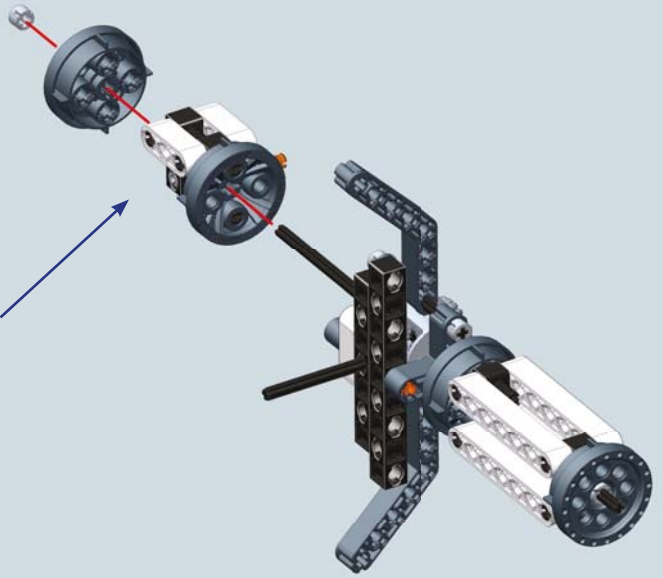
9



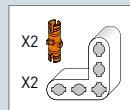
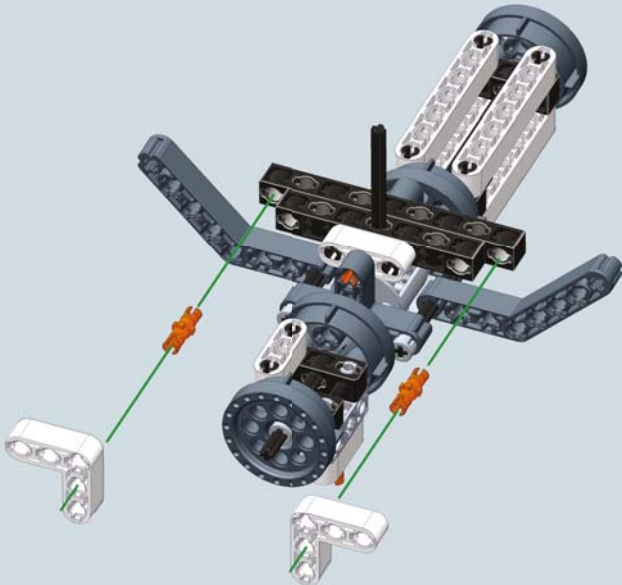
10

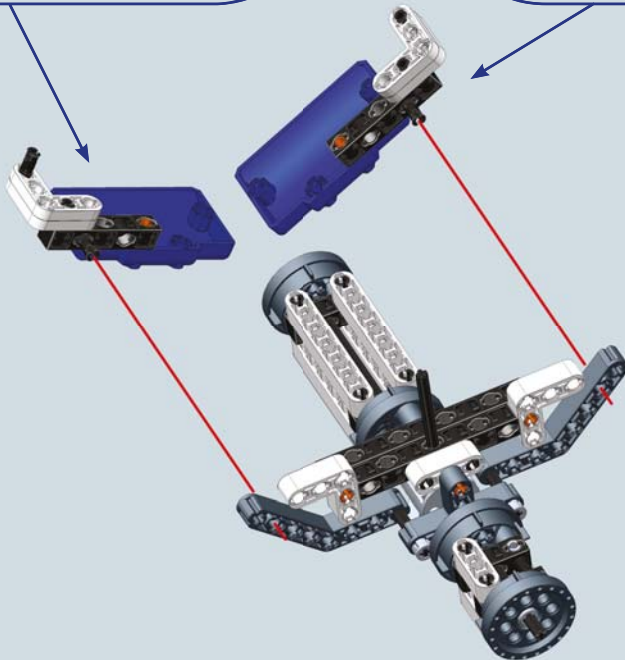
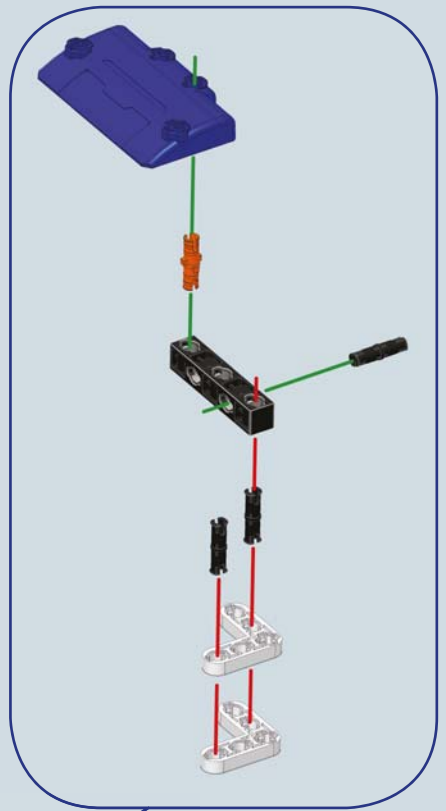
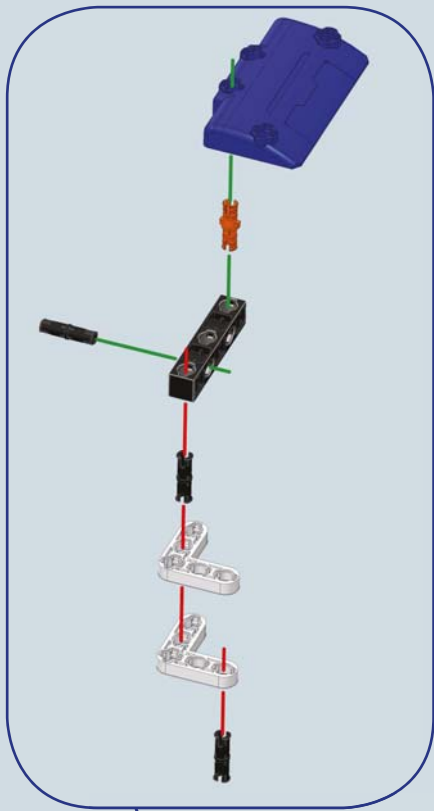


11

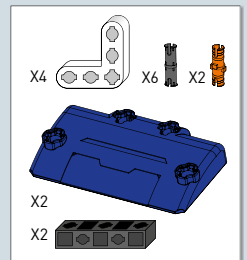


12

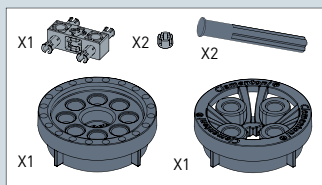
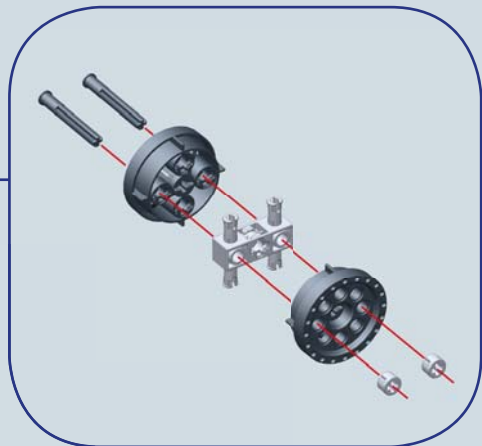
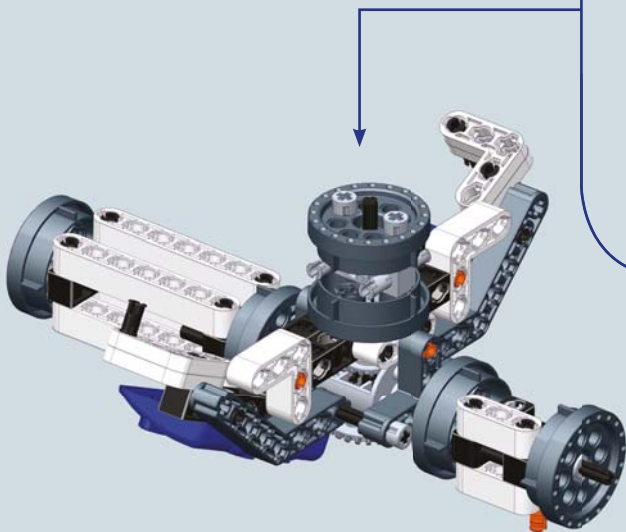




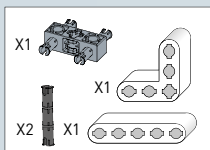
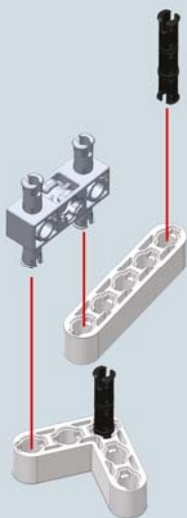
13



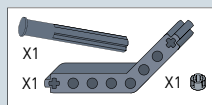
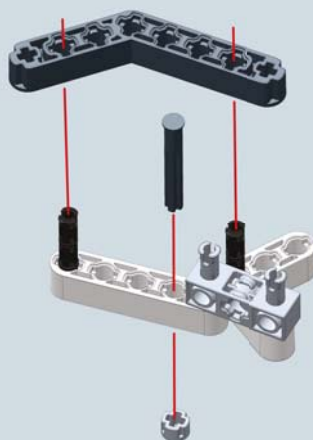
14

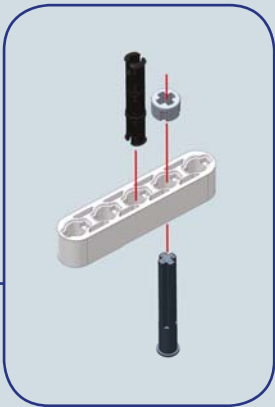
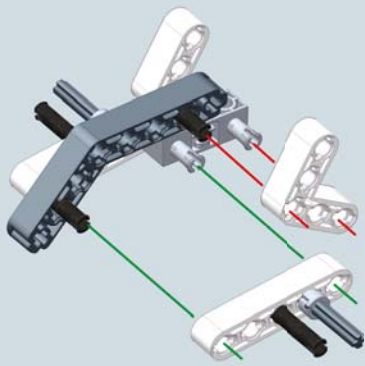


15

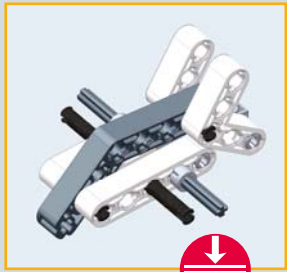


16





17



- X1
- X1
- X1
- X1

