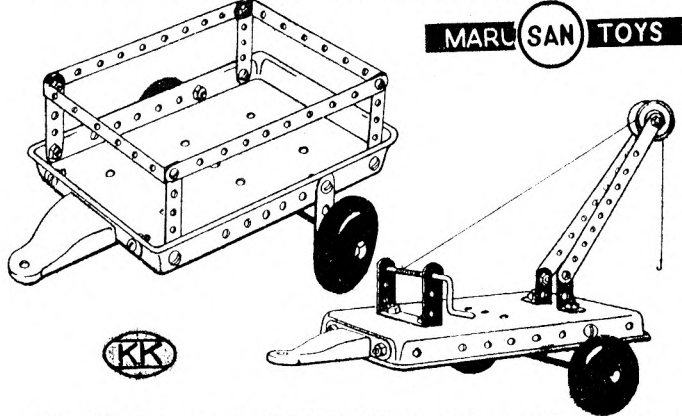


CONSTRUCTION JEEP, CONSTRUCTION TRUCK and some Similar Parts

CONSTRUCTION JEEP is included in MCS. It was a simple system made in Japan by the Marusan Shoten Ltd., after WW2 no doubt judging by the use of 'Jeep' in the name. The name Jeep is used not because you can make one with the parts in the Set, but because some of the models are intended to be towed by a toy jeep, perhaps one made by the same company. The limited range of parts includes a special pressed Towing Bracket. The set was packed in an 8*4½" box with on the lid, a picture of the jeep towing the model crane below. Also on the lid are the KK logo below and 'No.3377'.

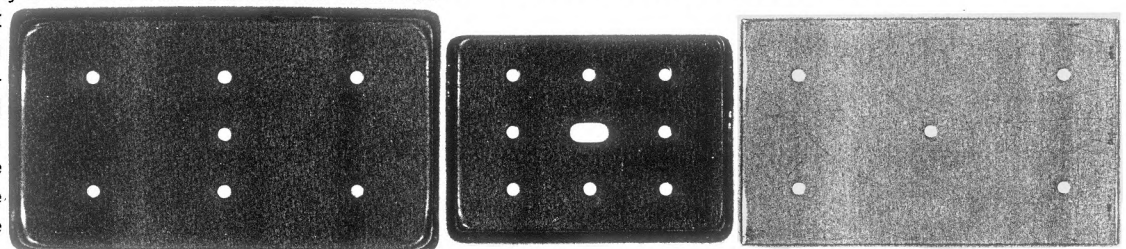


The 17 different CONSTRUCTION JEEP (CJP hereafter) parts are shown in MCS and most can be seen in the models above. Some notes on them follow:

- The red pressed Flanged Plate (below left) has rounded corners and a continuous flange with a rolled over edge. It measures 11.4*6.6mm overall.
- Strips are 9.5mm wide, 3, 5 and 10 holes long, with fully radiused ends. The Strip shown in the 'Parts' in MCS has 11 holes but those in the models all have ten.
- DAS with 1*6*1 and 3*4*3 holes; a 1*1*1 hole Double Bracket and a 1*2 hole Angle Bracket.
- 38mm diameter black rubber Road Wheels, and a red 20mm Pulley with a brass eyelet bush. The Wheels probably push onto the Axle - the latter is 3.1mm dia and about 90 to 100mm long, with each end threaded over 2mm.
- A red Towing Bracket which is fixed by 3 tabs to a blue 5h long Strip, which has only its 2 outer holes.
- The parts are of quite thin metal but are well enough made and nicely finished. All are blue except the red ones already mentioned. Holes are 3.2mm diameter (3.3 also reported), with 10mm spacing except on the Plate (below left) where some are omitted and the centre crosswise holes in the face are 15mm apart, and 35mm from the outer pairs.
- The 'brass-coated' hex Nuts and roundheaded Bolts of the Leaflet are known to exist, also zinc N&B with 7mm A/F hex Nuts. A few square Nuts (6.0mm A/F) and 5.2mm dia roundheaded Bolts, both of nickel plated steel, were with one lot of parts. Their thread is 3mm dia by .6mm pitch. The Spanner is black and the Screwdriver nickel plated.

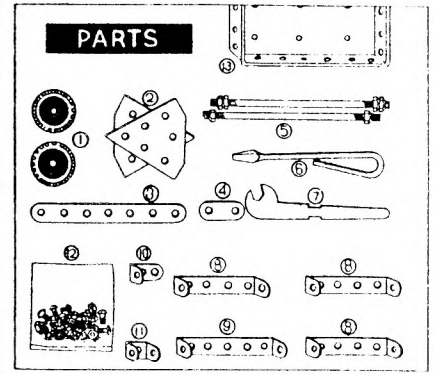
The CJP Leaflet is printed in black on light yellow paper, and has 4 panels, each 96*179mm. It shows 13 models on one side, and the parts and instructions on the other.

Now for **CONSTRUCTION TRUCK (CTK)**. This is a rather similar Set to CJP but some of the models are meant to be used with a toy truck. The box label has the same KK logo as CJP but there's no mention of Marusan, instead: 'DAIYA' and 'Made in Japan'. The parts are shown below - the strip parts and the



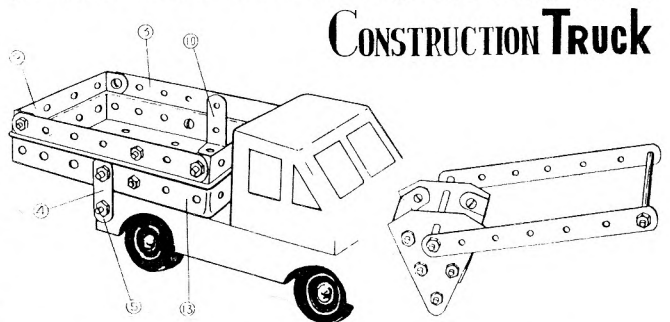
Flanged Plate have been seen and though most are similar to CJP their are differences:

- The red Flanged Plate (below centre) is made like the CJP one but is much smaller (76*56mm). The spacing of the holes in the top face is 15mm across and 20mm lengthways. The large elongated centre hole (not shown in the Model Leaflet) is just long enough to allow a Strip to pass through it. The long and short flanges have 7 and 5 regularly spaced holes in them, at 10mm pitch.



- The holes in the parts are slightly smaller at 3.1mm.
- The strip parts are a lighter blue, though other shades of blue have been reported.
- Axles are shorter, probably between 75 and 80mm long, and again have threaded ends. The Screwdriver and Spanner look similar in the two Leaflets, though the CJP one doesn't have the indentation in its sides.

The Leaflet is printed in green on light green paper and is 177*185mm overall, probably folded into three. On one side are the parts and instructions, and on the other 5 models. Two are shown below though what the one that uses the Triangular Plates represents I don't know. Another is a simple Trailer with a 2*1h Bracket acting as the towing bracket.



CONSTRUCTION TRUCK

Finally a few **similar parts** that have turned up and which can't be positively identified. First some red strip parts - 1*6*1 and 3*4*3 DAS, 2*1 Brackets, and 5h Strips, including one that has been bent into a 4*1 Bracket, and it looks as if it may have been made like that. There are 10 of these red parts in all and none of their edges have paint on them, even though the paint is generally in good condition.

Secondly a Flanged Plate (below right) which is quite different to the others. Compared to the CJP one, it's slightly smaller (100*60mm), has 4 normal square flanges, and is made of steel nearly twice as thick (.55mm). It has fewer holes (and they are only 3.0mm dia) but all the CJP models could be made with those that remain, except that in the shorter flanges the two outer holes are replaced by one in the centre, so the Towing Bracket couldn't be fitted.

Thanks are due to Don Blakeborough, David Hobson, Peter Kessler, Ernst Leuthold, and Richard Symonds for the material which has been used in this account.

5. On **KONSTRUKTOR K.115** (19/530), Michael Denny pointed out that the town of Brest is now part of Belarus, rather than Russia, and that the Éavod in the maker's name should read Zavod (meaning factory or works).

6. From David Hobson. • Another **CONSTRUCTION JEEP** set has been seen, with similar packaging to the one described in 17/469. However it was marked with a KK (see 14/373) in an oval, and in a larger oval, MARUSAN TOYS \ SAN \ JAPAN. Also the Flanged Plate was the large, rounded corner type, painted red. The N&B were nickel and the Bolts roundheaded, but the Nuts were hexagonal.

• On **MAKE-AND-KNOW** (see 19/555), there was also a plastic version, a poor quality copy of the original, 1956, PLASTIC MECCANO. A leaflet shows models for Sets A, B & C, and has on it, 'Manufactured by Ravindra Plastic Works (India)'; on a Set A box is, 'Sindhvani Toys & Games'.

7. From Don Redmond wrote of a **TECHMASTER** No.50 set corresponding to the one described in 14/391. The N&B appear to be commercial items; the round heads of the Bolts are 5.3mm Ø, and the Nuts 8mm A/F.

8. Kendrick Bisset wrote that he had learnt about some other systems through auction items on the internet. A site called **ebay.com** has a listing site specifically for 'Erector' sets, and OS show up there periodically.

• One such is the **#150 POW'R HOUSE Ferris Wheel** Kit mentioned in 19/552, and it is clearly very similar to the 'mystery' model in *Canadian Meccanotes*. A picture of the set below shows dark coloured Braced Side Supports, spaced apart at the bottom by a red Base with steps pressed into one side. Yellow Radial Arms bolt onto 6-arm Hubs, probably grey plated, and support blue Rim Segments, cranked at each end, 6 to a side. The Rims are channel section; the Arms may be similar or angle girders.



The Base is not shown in the *Meccanotes* model. The 6 Chairs are variously red, blue & yellow, each with a decal of an animal on the back rest - a giraffe, elephant, lion, bear, seal & hippo. No drive can be seen but a **Motor** construction set was available. The illustration gives no indication of size. The box lid has the model, in different colours, against a fairground scene. POW'R HOUSE sets were made by Kelmar Corporation, Milwaukee, Wisconsin, & a **Sky Ride** set has also been mentioned.

• Another item is a **1943 BILD-A-SET** outfit, with thick paper parts held together with wooden pegs. It is suggested that these materials were used because metal was not available during the war. Some notes on a BILD-A-SET manual cover appeared in 15/426. Bild-A-Set also made a large number of rather nice card buildings.

• Kendrick also sent a list of **screw threads** from a 1924 S.W.Card Mfg. Co. Tap & Die Catalog. So far as 60° U.S. threads go, the sizes over and above those in 7/169 & 16/459, are the US Std: 3/32" x 50 tpi, 1/8" x 32, 1/4" x 27, & 1/4" x 28. New 60° metric ones are 2mm Ø x .45mm pitch, & 2.5 x .45, though compared to OSN 7, most French threads are listed as International (IFS), and vice-versa. Kendrick listed the smaller threads as well, down to 1/16" and the US #0 diameter, if anyone would like details.

• Finally he mentioned that Marx Trains have produced a system called **TIN TOWN**, which is very similar to the 1920s BILT-E-Z (see 14/378). It is being sold (at train shows) as a collectible, not a toy, because of the sharp edges and toy safety requirements.

9. From Jacques Pitrat. • The Wetzel web site (see 19/552) no longer exists, and other 'unknown' metal sets listed were: #510 **MAGNETICKS** (Magnetic Constr., Ohio, 1949); #5804 **CABLE CAR BUILDER** (Schuco, Germany, 1954); #1 **MICKEY MOUSE** Assembly Set (California, 1947); and #1A **MAGNETIC CONSTR. TOYS** (Goodtoy Prod., England, 1915). A lid from a **KUKO** set, by VEB Ankerwerk Schmalkalden, was also shown.

Another interesting site is <http://www.chem.sunysb.edu/msl/LEGO/>; it's mainly Lego but there are also pages on **AMERICAN MODEL BUILDER, STANLO, & STEEL BUILDER**.

A #2 **KLIPTIKO** set has a 32 page manual in Dutch, but nothing in Dutch on the lid. The 'importeur voor Nederland' was W.L.M.Weimar of Rotterdam, possibly the same as 'Weimar frères' who were the Meccano 'agents généraux' in the French 1910 & 1911 manuals. [From copies Jacques sent, the manual cover is similar to the UK one that has a large (Eiffel) Tower on the left, and the Contents, for Sets 1-6 & 0-5A, are as p6 of MCS.]

EXTRA MCS SHEETS The Sheets below are available at 15p per Sheet plus postage. That makes £2.85+post for all 19 Sheets.

MCS Amendments, List No.7 [1]
AUTOMAT[a]: X1.3/4 - 3m/4m [7]
ESCHO: X1.1,2,3,5 [2]

FIX: X2.5a/6,5b [1]

KONSTRUKTOR [11]: X1.1,2,3/4/5/6,3a/4a/6a,5a,5b [3]

KONSTRUKTÖREN: X1.1,2,3/4/6 [2]

REX: X1.1,2 [1]

STEELBUILDER: X1.2a,3a,5a,7a [2]

ACCOUNTS Dear Subscriber,

Your remittance of _____ received with thanks.

Your credit balance after deduction for this Issue and

is _____

Please renew your subscription if you wish to receive the next Issue.

SUBSCRIPTION RATES For 1999 (OSN 20 and 21), including postage, at Printed Paper Rate where appropriate: UK £6; airmail to Europe and surface mail anywhere, £7; airmail outside Europe, £8. **BACK NUMBERS** For the zones above: OSN 1: £1/£1.30/£1.50; OSN 2,3: £2.30/£2.70/£2.90 each; OSN 4 onwards: £3.60/£4.10/£4.50 each.

SMALL ADS Up to about 150 words free for each subscriber in each Issue; above that by arrangement. Insertion guaranteed in OSN 21 if ads reach the Editor by the end of July 1999.

PAYMENT Please make cheques etc payable to P.A.Knowles. Remittances in other than Pounds Sterling will be cashed locally and the resulting Sterling credited, but bank charges are usually prohibitive. However U.S. Dollar bills are acceptable at an exchange rate of £1=\$1.60. Overseas subscribers need not send sums of less than £5 for Back Numbers, purchases from the Editor, etc, until it is time for subscription renewal.

CONSTRUCTION JEEP, TRUCK, etc. Some sets have been seen on Ebay and I've been looking through everything I have to see what's what.

First **CONSTRUCTION JEEP**. The parts described in 14/373, and shown in MCS under JEEP [1], were said to have been in a box 8*4½", and I assumed at the time that the set did not contain a Jeep. But I now have a photo of an outfit with a Jeep in it, in the same size box, with the same label on the lid, and with the parts laid out as in MCS. So it may well be that there was never an outfit without the Jeep. And that would make sense of the Set's title.

The box is grey, yellow inside, and the parts are on the folding panels like the set in 17/469. The label, below, with scribble at the top, has the Jeep & Crane Trailer in colour on a yellow ground, the Marusan & KK logos as in OSN 14, and also the 'No.3377'. The Jeep is dark blue and looks like the DAIYA one in OSN 17 (JEEP [2] in MCS) except that the seats are light brown with no patterning.



CONSTRUCTION TRUCK A photo of a set with the parts as in OSN 14, and the Truck itself, is now known. Apart from the colours it is basically the same as the one mentioned in 19/537. The fold-down cardboard box is 7" long by 2½" wide, brown on the outside and yellow within. The lid label below is yellow & white with the name



MINIATURE CONSTRUCTION SET TRUCK TRAILER on it, and the KK & DAIYA logos. Some parts are on the left; the Truck on the right is light green with a bright radiator grille, and has the red Flanged Plate on the back. Pivoted arms carry the red bucket at the front. These fitments are correctly coloured



but the actual Truck (left) is light blue, and has just an impressed oblong instead of a grille. As on the lid the bumpers are painted in black and yellow stripes. The Spanner is black & the Screwdriver nickel. The Model Leaflet is as in

MCS with only the name CONSTRUCTION TRUCK on it.

Another 'TRUCK' set is now known, similar but by a different maker. The box is dark on the outside, perhaps green, and the label is the same as the one above except that above 'TRUCK TRAILER' is ERECTOR CAR KIT, and along the bottom is MADE IN JAPAN SHARE A JOY WITH AHI TOYS No.???, followed by AHI in a box with something

AHI

unreadable under it (left). None of the parts can be seen except the Truck, which is as above though it looks light green rather than light blue, and, just as above, the Flanged Plate on its back. The top of the Model Sheet is visible and is unchanged.

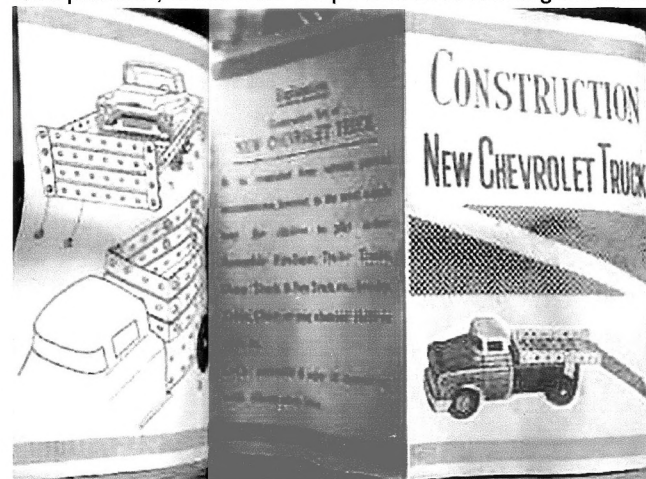
CHEVROLET TRUCK CONSTRUCTION SET This is

a hitherto unknown set by Daiya. The outside of the fold-down box can't be seen but the inside is yellow. The lid label is probably the same as the one (below) that is on the inside of the lid (most of the folding boxes have similar labels on both sides of their lids). The label is yellow & white (the dark area is shadow), and the model looks like a pick-up truck. The front part is red with a bright grille and light green top to the cab. The rear sides are dark blue with a row of 5 holes along the top & bottom of each. On top is what might be a ladder, in light green.



The parts that can be seen in the photo are 3, 4, & 8h Strips; 8x 1*4*1h DAS; 2h Strips or more likely A/Bs; & some other Brackets, probably 2*1h A/Bs, Reversed A/Bs, & a Double Bracket. All these look green in the photo. Then there are 2 black Road Wheels; 2 red Triangular Plates; a black Spanner; and, both bright, an Axle with threaded ends & a Screwdriver. All these are similar to parts in the other sets. Finally the Truck itself, as on the lid but with no back wheels, and, of course, no ladder. So it seems that the Truck had to be completed using the separate Wheels & Axle.

On the front of the Model Leaflet (below) are the words CONSTRUCTION New Chevrolet Truck, and a photo of the Truck fitted with a load platform & ramp, both of which are probably made of Strips. The 2 sketches on the left are of one model fitted with a bulldozer blade made of 4 horizontal 8h Strips, & another with a high-sided, 8h long load platform, made from Strips with DAS forming the ends.



SMALL ADS

For Sale. MCS. A few copies are still available. Parts 1-4 are £21 each, Part 5 is £20, all plus postage. Please contact Jean Beadle, 33 Yoredale Avenue, Darlington, Co. Durham, DL8 9AN; Tel. 01325 356097.

QUERY 28 What is the shape of the groove in STRUCTO Rods? – square bottomed like the first MME Rods & the MECCANO Rod with Keyway, 'V' shaped, or some other? Dimensions, even approximate, if possible please. Incidentally the dimensions of the MME & MECCANO sections were given on p948 of MJ 32.